

This page left blank intentionally.

BASE MACHINE

Machine Overview	P3
Hitch	P4
Jack Assembly	P5
Transport Tower	P6
Front Hitch	P7
Rear Hitch	P8
Wheel and Rockshaft (2018 - 2021 Production)	P9
Wheel and Rockshaft (2022 Production and on)	P11
Hub/Spindle Assembly	P13
Center Frame	P14
Wing Frame	P15
Dirt Deflector Assembly (2018 - 2021 Production)	P17
Dirt Deflector Assembly (2022 Production and on)	P18
Disc Arm Components and Disc Options	P19
Disc Gang Components, Mach Till 201	P21
Disc Gang Components, Mach Till 261	P23
Roller Frame	P25
Rubber Roller Components	P27
Scraper Components	P28
Gauge Wheel Assembly (2018 - 2021 Production)	P29
Gauge Wheel Assembly (2022 Production and on)	P31
Gauge Wheel Hub Assembly	P33

HYDRAULICS

Hydraulic Schematic - Transport	P35
Hydraulic Schematic, Depth (2018-2021 Production)	P37
Hydraulic Schematic, Depth (2018-2021 Production)	P38
Hydraulic Schematic, Depth (2022 Production and on)	P39
Hydraulic Schematic, Depth (2022 Production and on)	P40
Hydraulic Schematic - Wings	P41
Hydraulic Schematic - Jack	P43
Transport Cylinder	P44
Cylinder and Depth Stop Components	P45

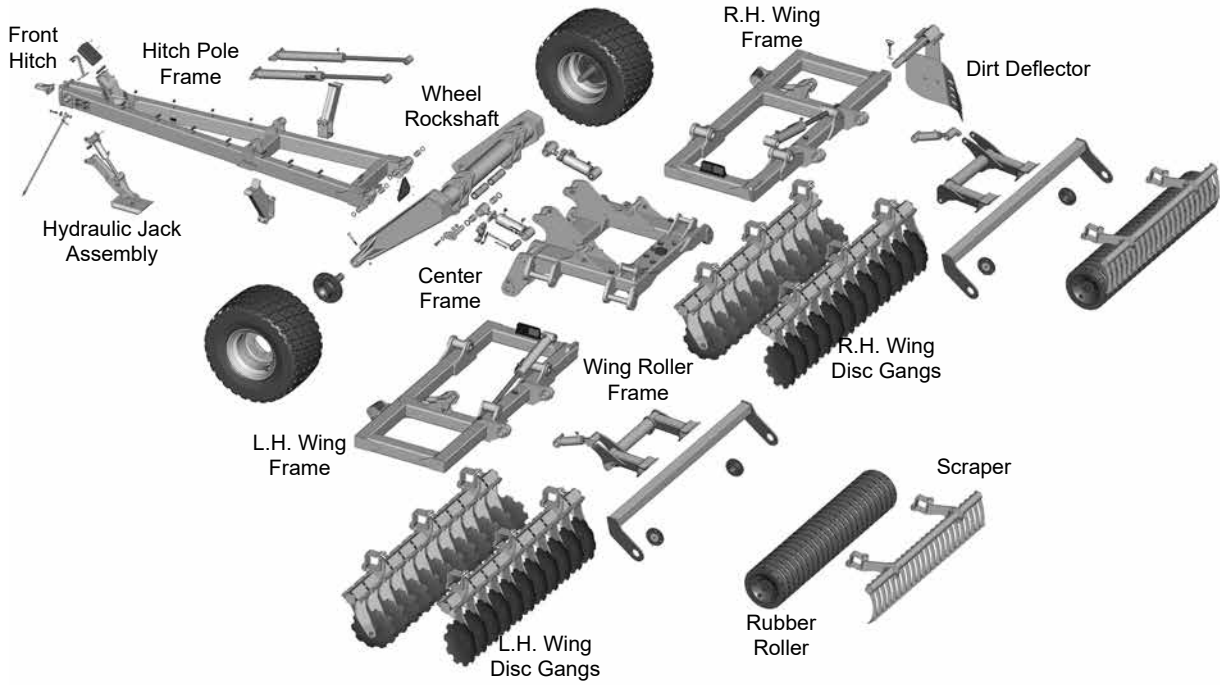
ELECTRICAL

Electrical Schematic	P47
--------------------------------	-----

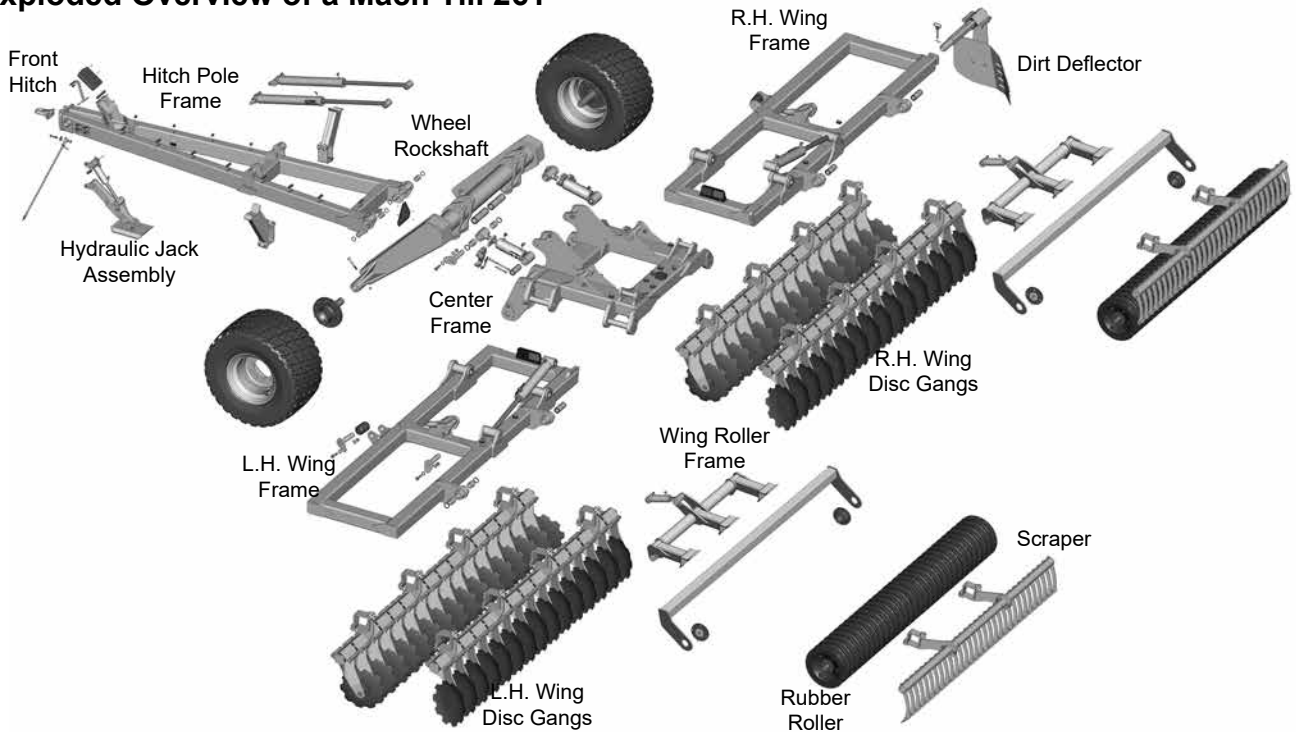
DECAL AND MISCELLANEOUS P49**NUMERICAL INDEX P53**

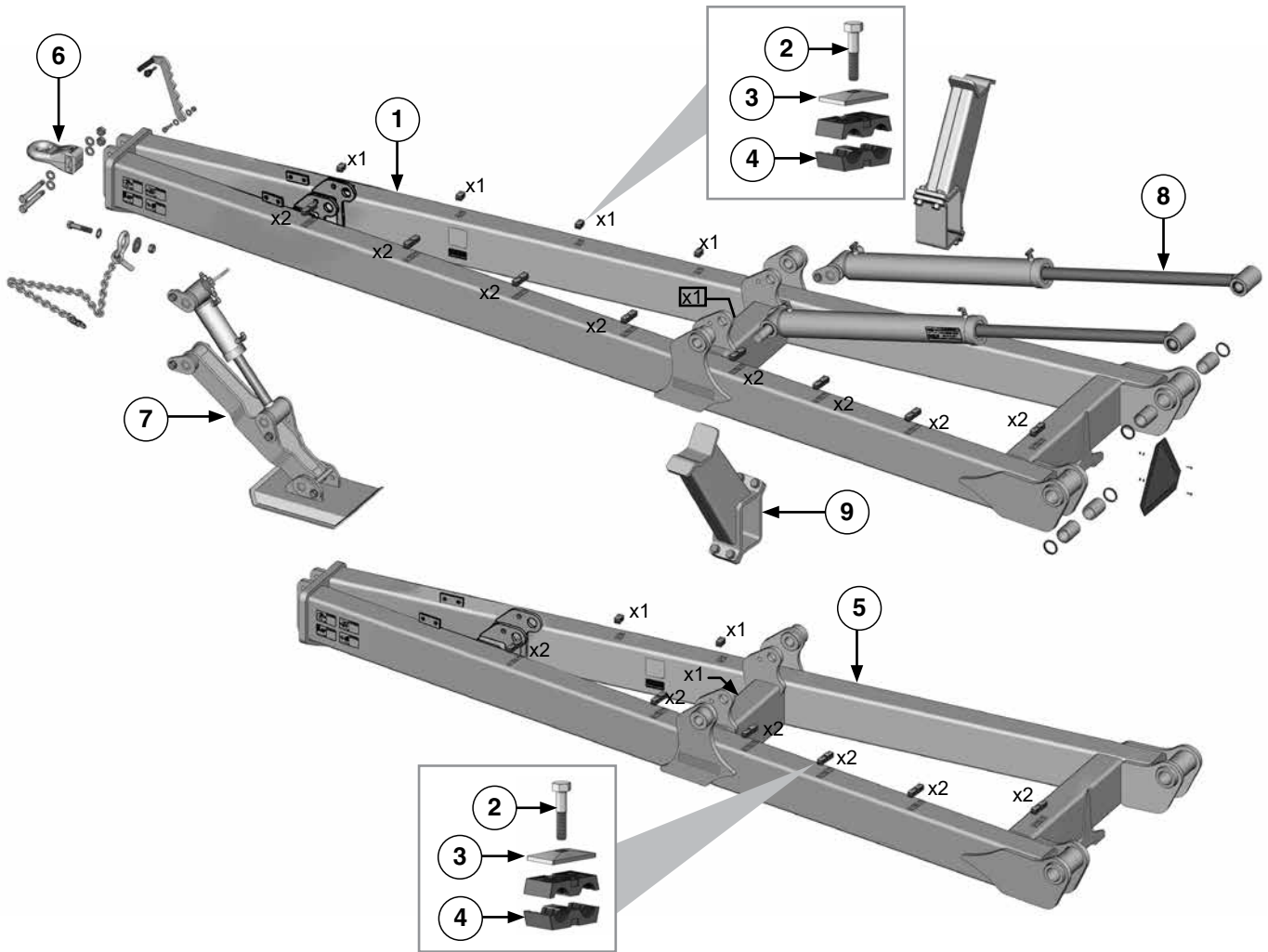
This page left blank intentionally.

Exploded Overview of a Mach Till 201

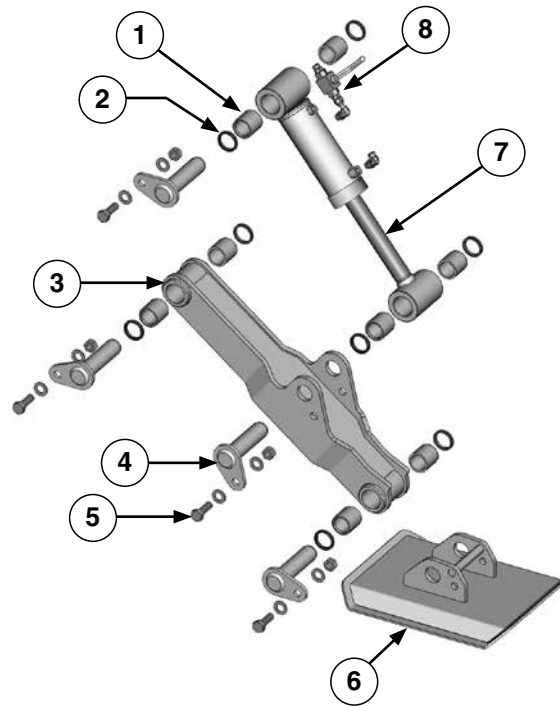


Exploded Overview of a Mach Till 261

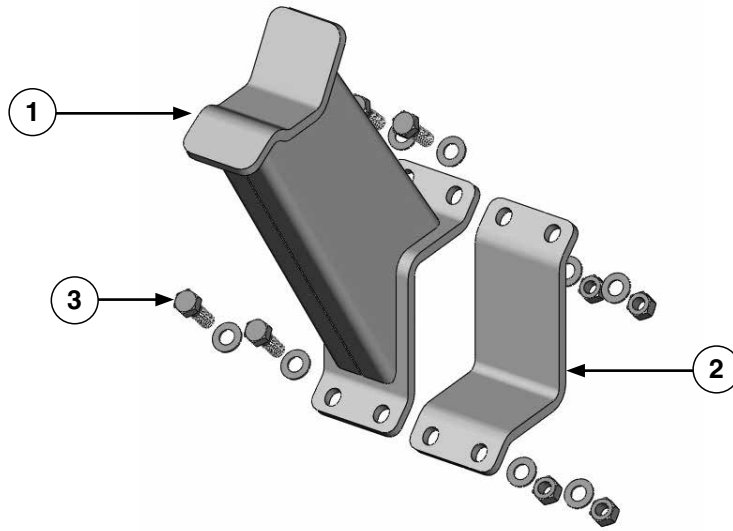




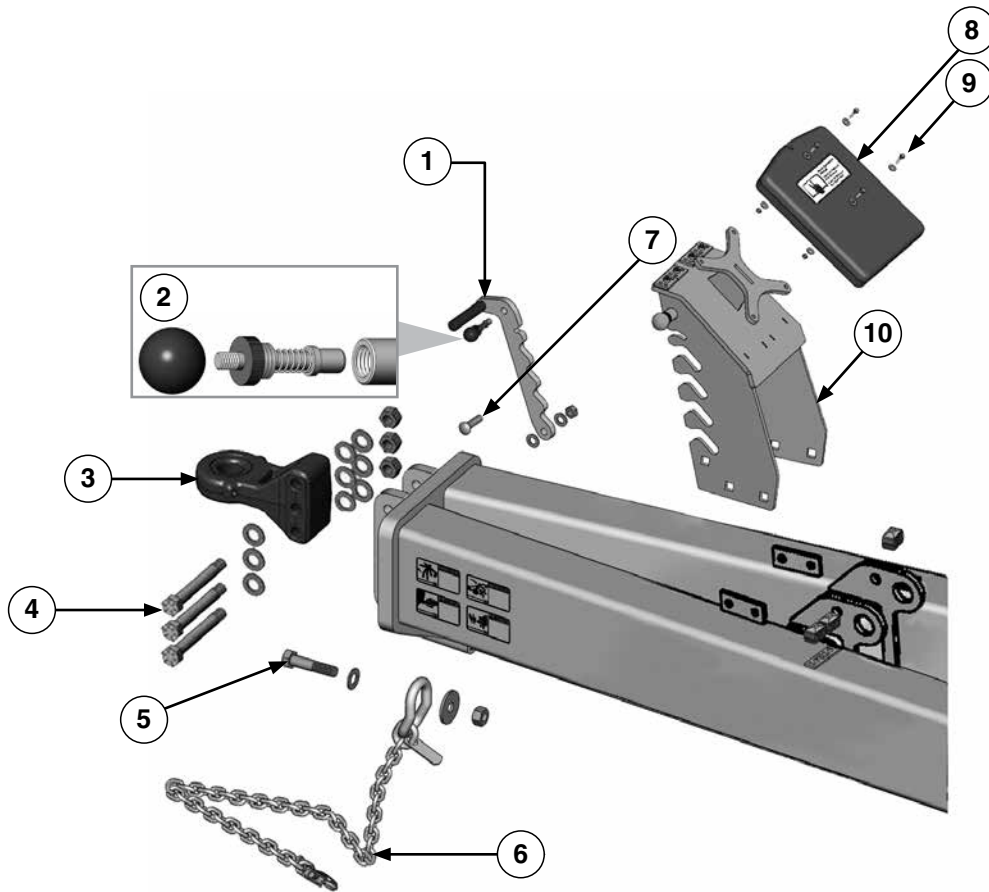
ITEM	PART NO.	QTY.	DESCRIPTION
1	GA573060BU	1	Hitch, Mach Till 261
2	G1118144	22/25	Hex Bolt, 1 ⁵ / ₁₆ " x 1 ¹ / ₂ "
3	GD780279	22/25	Top Hydraulic Hose Clamp Plate
4	GA780278	22/25	Hydraulic Hose Clamp, 1/2" (2 Halves Per Set)
5	GA573092BU	1	Hitch, Mach Till 201
6	---	-	See "Front Hitch" on page P7
7	---	-	See "Jack Assembly" on page P5
8	GA123068BK	-	See "Transport Cylinder" on page P44
9	---	-	See "Transport Tower" on page P6



ITEM	PART NO.	QTY.	DESCRIPTION
1	G1117225	8	Bushing, 2½" O.D. x 2" I.D. x 2"
2	GD133135	8	Wiper Seal
3	GA573175BK	1	Jack Leg
4	GD575193	4	Pin, 2" x 7⁄₁₆"
	GD575194	4	Pin Plate
5	G11661	4	Hex Head Cap Screw, 7⁄₈"-9 x 2¾", Grade 8
	G1118774	8	Flat Washer, 7⁄₈"
	G1117416	4	Lock Nut, 7⁄₈"
6	GA573180BK	1	Jack Pad
7	GA123412BK	1	Hydraulic Cylinder, 4" x 8" x 2"
8	---	-	See "Hydraulic Schematic - Jack" on page P43

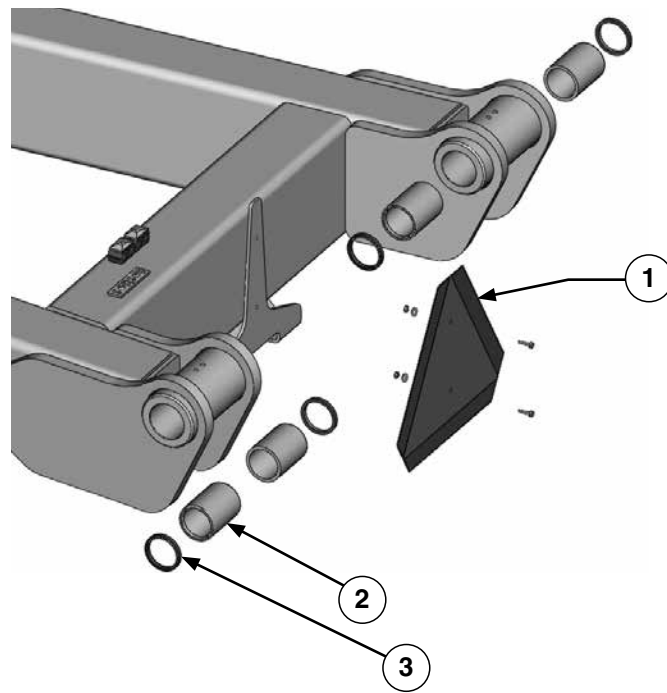


ITEM	PART NO.	QTY.	DESCRIPTION
1	GA573185BU	2	Transport Tower
2	GD573190BU	2	Transport Tower Clamp
3	G1118134	8	Hex Bolt, 1" x 3", Grade 8
	G1131020	16	Flat Washer, 1"
	G1118911	8	Lock Nut, 1"

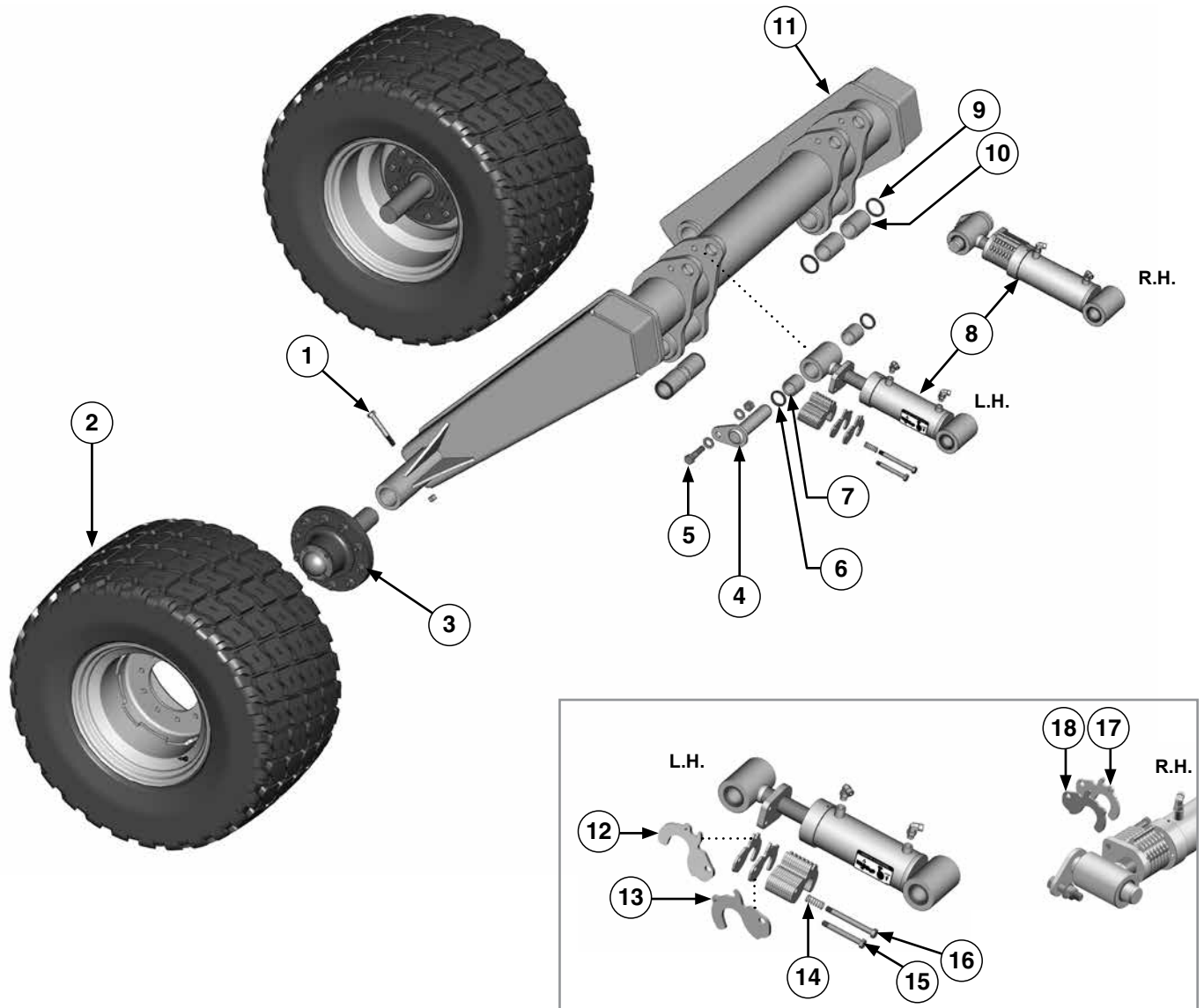


ITEM	PART NO.	QTY.	DESCRIPTION
1	GA573165BU	1	Hydraulic Hose Retainer Handle
	GD572930	-	Handle Grip, Black
2	GA572931	-	Pull Pin, 1/2" (Apply Blue Loctite to Threads)
3	GA124029	1	Hitch
4	*G1117429	3	Hex Bolt, 1" x 7 5/8"
	G1131020	9	Flat Washer, 1"
	G1118911	3	Lock Nut, 1", UniTorque
5	G1117565	1	Hex Bolt, 1" x 4 1/2", Grade 8
	G1131020	1	Flat Washer, 1"
	G1118615	1	Flat Washer, 1 1/32" x 3 1/8"
	G1118911	1	Lock Nut, 1", UniTorque
6	GD116302	1	Safety Chain
7	G1118221	1	Carriage Bolt, 5/8" x 2", Grade 5
	G1118537	2	Flat Washer, 5/8"
	G1118447	1	Lock Nut, 5/8", UniTorque
8	GD133100	1	Manual Holder
9	G1118123	4	Hex Bolt, 1/4" x 1", Grade 5
	G1118541	8	Flat Washer, 1/4"
	G1118483	4	Lock Nut, 1/4", Grade 5
10	GA573590BU	1	Manual Holder Bracket
	G1118221	4	Carriage Bolt, 5/8" x 2", Grade 5
	G1118447	4	Lock Nut, 5/8", UniTorque
	G1118537	4	Flat Washer, 5/8"

*When G1117429 is purchased, it also comes w/quantity 1 of G1131020.

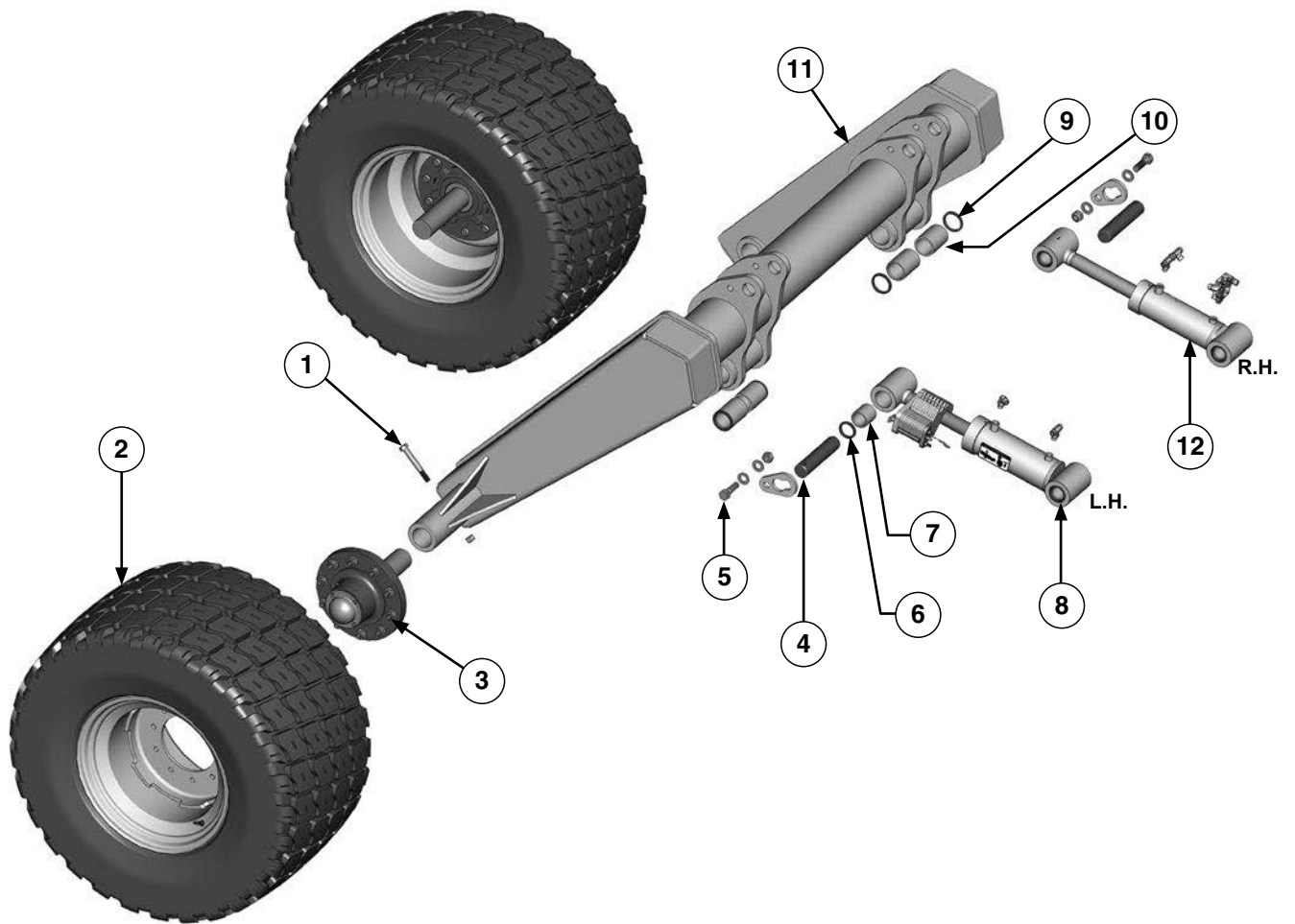


ITEM	PART NO.	QTY.	DESCRIPTION
1	GD2199	1	SMV Sign
	G1118123	2	Hex Bolt, 1/4" x 1", Grade 5
	G1118541	2	Flat Washer, 1/4"
	G1118483	2	Lock Nut, 1/4", Grade 5
2	GD117226	4	Bushing, 3" O.D. x 2 1/2" I.D. x 4"
3	GD133136	4	Wiper Seal



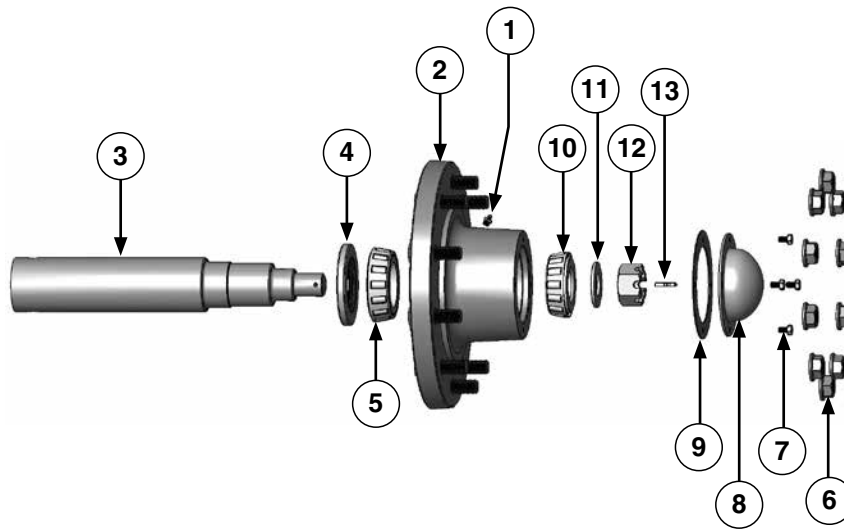
ITEM	PART NO.	QTY.	DESCRIPTION
1	G1118062	2	Hex Bolt, 3/4" x 5 1/2", Grade 8
2	GD131819	1	Tire, 600/50R22.5
	GA131806	1	Rim, 22.5 x 20.0
	GR127015	1	Valve Stem
3	---	-	See "Hub/Spindle Assembly" on page P12
4	GD575195	2	Pin, 2" x 9 1/4"
	GD575194	2	Pin Plate
5	G1118767	2	Hex Bolt, 7/8" x 3", Grade 8
	G1118774	4	Flat Washer, 7/8"
	G1117416	2	Lock Nut, 7/8"
6	GD133135	8	Wiper Seal
7	GD117225	8	Bushing, 2 1/2" O.D. x 2" I.D. x 2 1/2"
8	GA123066BK	2	Hydraulic Cylinder, 4 1/4" x 8" x 2"
	GR123046	-	Seal Kit
9	GD133136	4	Wiper Seal
10	GD117226	4	Bushing, 3" O.D. x 2 1/2" I.D. x 4"
11	GA573045BU	1	Rockshaft
12	GA573449	8	Depth Stop Upper Pin, L.H.
13	GA573447	7	Depth Stop Lower Pin, L.H.
14	G1143000	2	Spring
15	GD117502	2	Hex Bolt, 5/8" x 5" Grade 8 (Apply Blue Loctite to Threads)
16	G1117509	2	Hex Bolt, 5/8" x 5 7/8", Grade 8 (Apply Blue Loctite to Threads)
17	GA573453	8	Depth Stop Upper Pin, R.H.
18	GA573448	7	Depth Stop Upper Pin, R.H.
A	GA131818GY	-	Wheel Assembly (Includes Items: 2)

NOTE: Refer To "Torque Values Charts" and "Tire Pressure" in Lubrication and Maintenance Section of Operator Manual

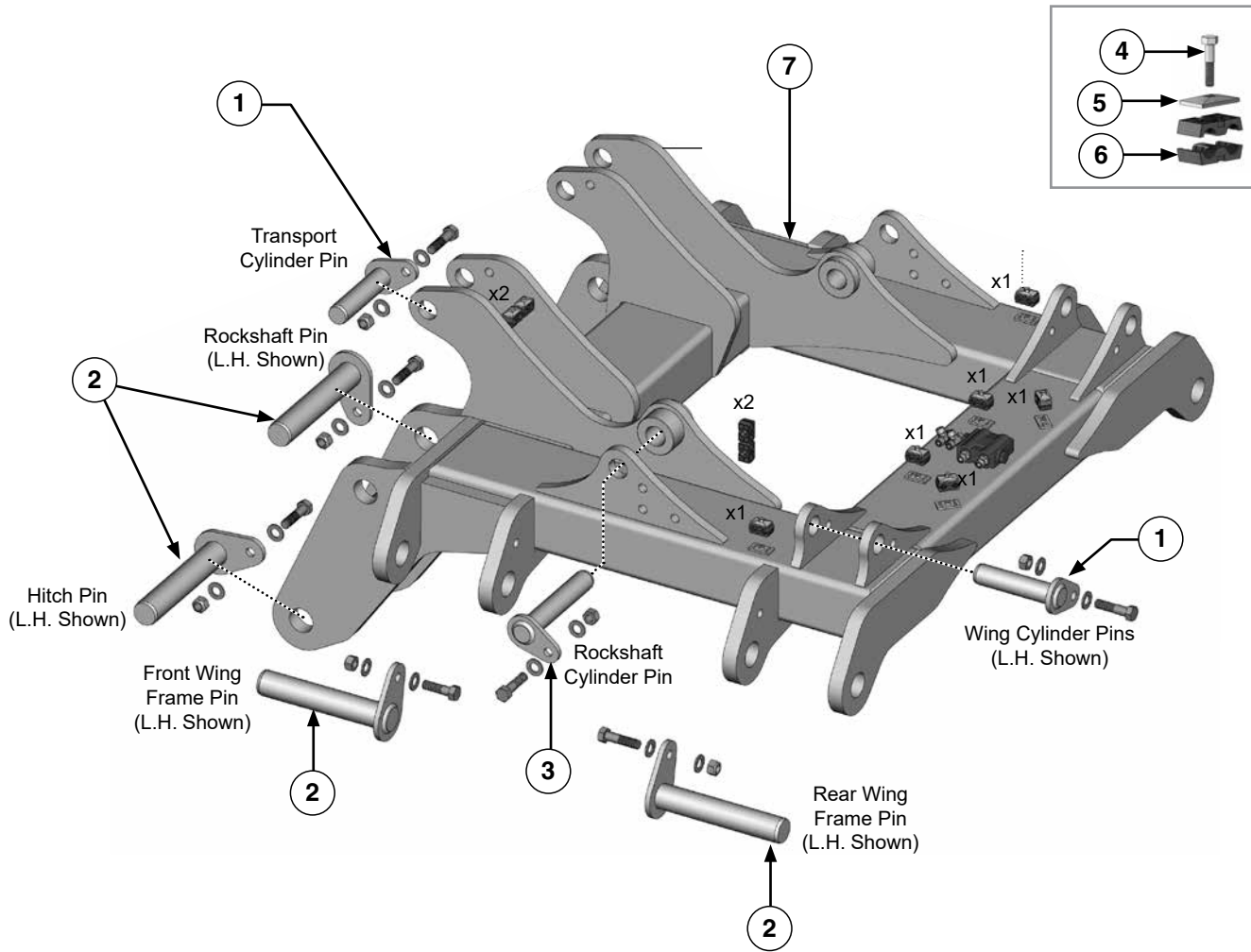


ITEM	PART NO.	QTY.	DESCRIPTION
1	G1118062	2	Hex Bolt, 3/4" x 5 1/2", Grade 8
2	GD131819	1	Tire, 600/50R22.5
	GA131806	1	Rim, 22.5 x 20.0
	GR127015	1	Valve Stem
3	---	-	See "Hub/Spindle Assembly" on page P13
4	GD575195	2	Pin, 2" x 9 1/4"
	GD575194	2	Pin Plate
5	G1118767	2	Hex Bolt, 7/8" x 3", Grade 8
	G1118774	4	Flat Washer, 7/8"
	G1117416	2	Lock Nut, 7/8"
6	GD133135	8	Wiper Seal
7	GD117225	8	Bushing, 2 1/2" O.D. x 2" I.D. x 2 1/2"
8	GA123075BK	1	Hydraulic Cylinder, 4 1/4" x 8" x 2"
	GR123046	-	Seal Kit
9	GD133136	4	Wiper Seal
10	GD117226	4	Bushing, 3" O.D. x 2 1/2" I.D. x 4"
11	GA573045BU	1	Rockshaft
12	GA123065BK	1	Hydraulic Cylinder, 3 3/4" x 8" x 2"
	GR123051	-	Seal Kit
A	GA131818GY	-	Wheel Assembly (Includes Items: 2)

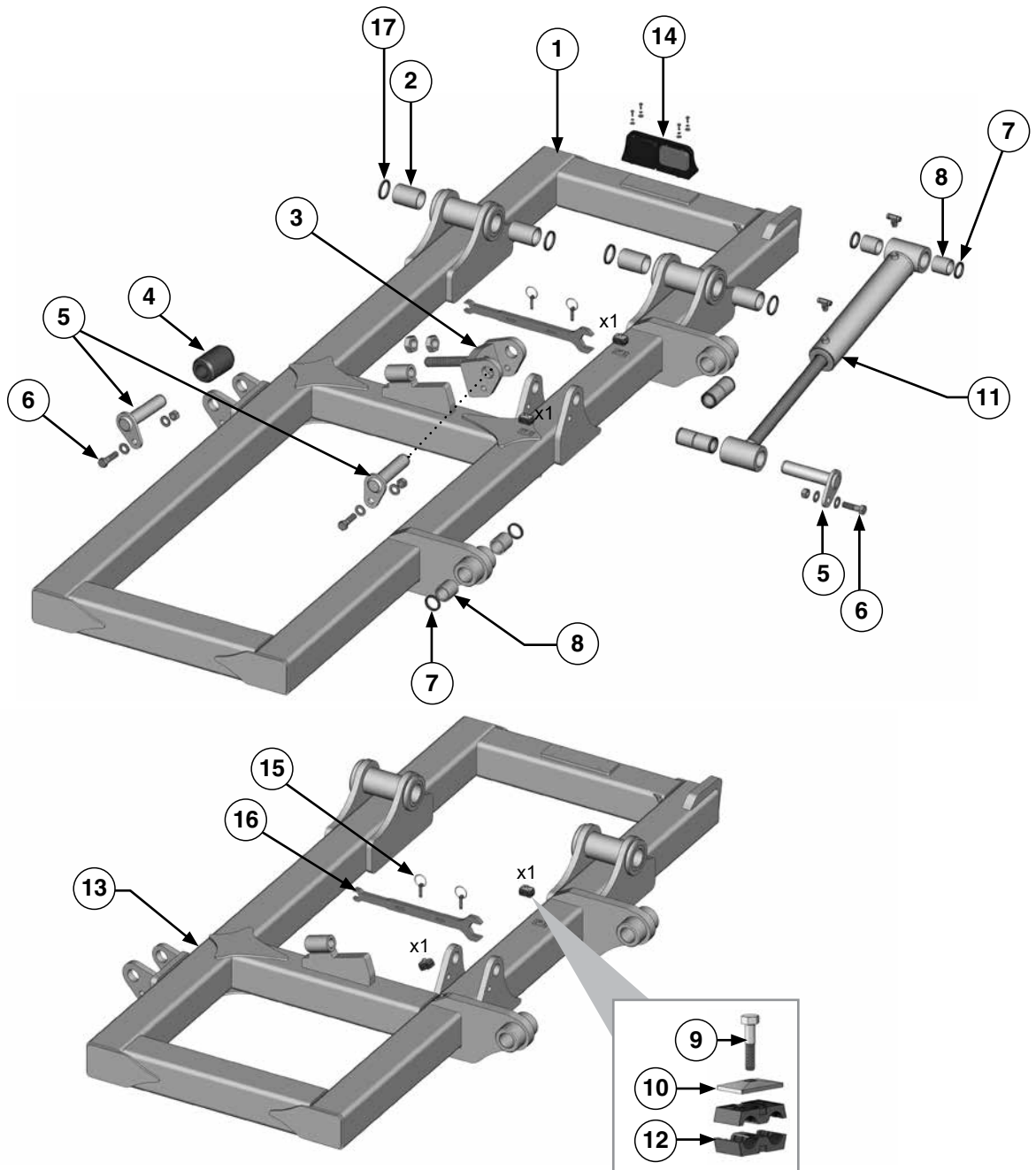
NOTE: Refer To "Torque Values Charts" in Lubrication and Maintenance Section of Operator Manual



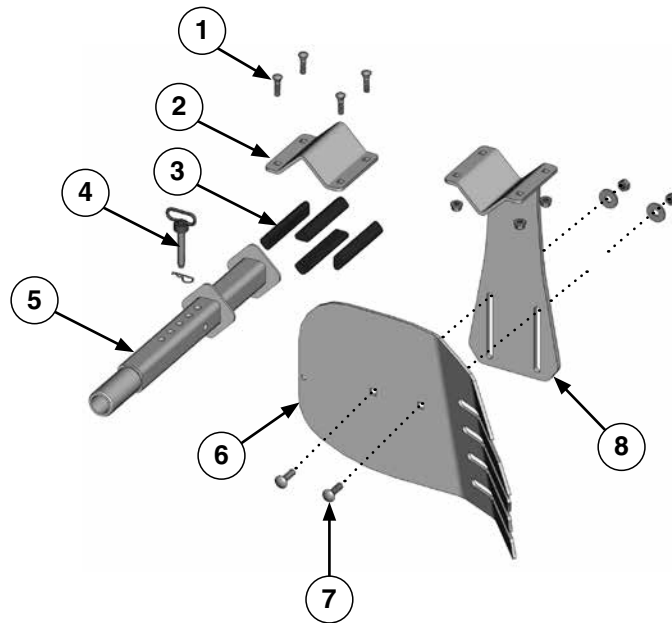
ITEM	PART NO.	QTY.	DESCRIPTION
1	GD118332	1	Grease Fitting, 1/8" NPT
2	GR131832	1	Hub Assembly
	GR131834	1	Inner Bearing Cup
	GR131835	1	Outer Bearing Cup
	GR118723	1	Wheel Stud
3	GA131833	1	Spindle
4	GR131840	1	Dust Seal
5	GR131836	1	Inner Bearing Cone
6	GR118712	10	Wide Base Nut
7	GR118641	4	Hex Bolt, 5/16" x 1/2"
8	GR131838	1	Dust Cap
9	GR131841	1	Gasket, 4 Hole
10	GR131837	1	Outer Bearing Cone
11	GR118963	1	Flat Washer, 1 1/4"
12	GR118443	1	Slotted Nut, 1 1/4"
13	GR131839	1	Spindle Nut Retainer Pin
A	GA131830	-	Hub Assembly (Items 1-13)



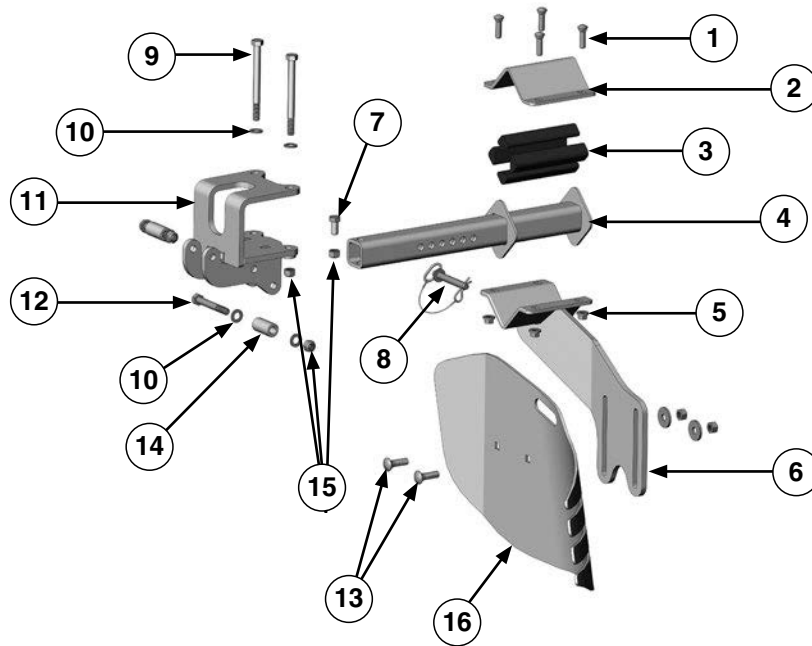
ITEM	PART NO.	QTY.	DESCRIPTION
1	GD575195	4	Pin, 2" x 9¼"
	GD575194	4	Pin Plate
	G1118767	4	Hex Bolt, 7/8" x 3", Grade 8
	G1118774	8	Flat Washer, 7/8"
	G1117416	4	Lock Nut, 7/8"
2	GD575215	8	Pin, 2½" x 14¼"
	GD575212	8	Pin Plate
	G1118768	8	Hex Bolt, 7/8" x 3½", Grade 8
	G1118774	16	Flat Washer, 7/8"
	G1117416	8	Lock Nut, 7/8"
3	GD575197	2	Pin, 2" x 12¼"
	GD575194	2	Pin Plate
	G1118767	2	Hex Bolt, 7/8" x 3"
	G1118774	4	Flat Washer, 7/8"
	G1117416	2	Lock Nut, 7/8"
4	G1118144	10	Hex Bolt, 5/8" x 1½"
5	GD780279	10	Top Hydraulic Hose Clamp Plate
6	GA780278	10	Hydraulic Hose Clamp, 3/8" (2 Halves Per Set)
7	A573025BU	1	Center Frame (Non-Stock Item)



ITEM	PART NO.	QTY.	DESCRIPTION
1	A573803BU	1	Wing Frame, Mach Till 261 L.H. (Shown) (Non-Stock Item) (2022 Production and on)
	A573804BU	1	Wing Frame, Mach Till 261 R.H. (Non-Stock Item) (2022 Production and on)
	A573340BU	1	Wing Frame, Mach Till 261 L.H. (Shown) (Non-Stock Item) (2018-2021 Production)
	A573330BU	1	Wing Frame, Mach Till 261 R.H. (Non-Stock Item) (2018-2021 Production)
2	GD117226	4	Bushing, 3" O.D. x 2½" I.D. x 4"
3	GA573170BK	1	Threaded Adjustment Assembly
	G1118451	2	Jam Nut, 1½"
4	GD573199BK	1	Hardened Bushing, 4" O.D x 2-½" I.D. x 5¾"
5	GD575195	1	Pin, 2" x 9¼"
	GD575194	1	Pin Plate
6	G1118767	4	Hex Bolt, 7/8" x 3", Grade 8
	G1118774	8	Flat Washer, 7/8"
	G1117416	2	Lock Nut, 7/8"
7	GD133135	4	Wiper Seal
8	GD117225	4	Bushing, 2½" O.D. x 2" I.D. x 2½"
9	G1118144	6	Hex Bolt, 5/16" x 1½"
10	GD780279	6	Top Hydraulic Hose Clamp Plate
11	GA123067BK	2	Hydraulic Cylinder, 4" x 20" x 2"
	GR123049	-	Seal Kit
12	GA780278	6	Hydraulic Hose Clamp, 3/8" (2 Halves Per Set)
13	A573801BU	1	Wing Frame, Mach Till 201, L.H. (Shown) (Non-Stock Item) (2022 Production and on)
	A573802BU	1	Wing Frame, Mach Till 201, R.H. (Non-Stock Item) (2022 Production and on)
	A573325BU	1	Wing Frame, Mach Till 201, L.H. (Shown) (Non-Stock Item) (2018-2021 Production)
	A573326BU	1	Wing Frame, Mach Till 201, R.H. (Non-Stock Item) (2018-2021 Production)
14	---	---	See "Electrical Schematic" on page P47
15	GA118869	2	Lynch Pin
16	GD573352	1	Adjustment Wrench
17	GD133136	4	Wiper Seal



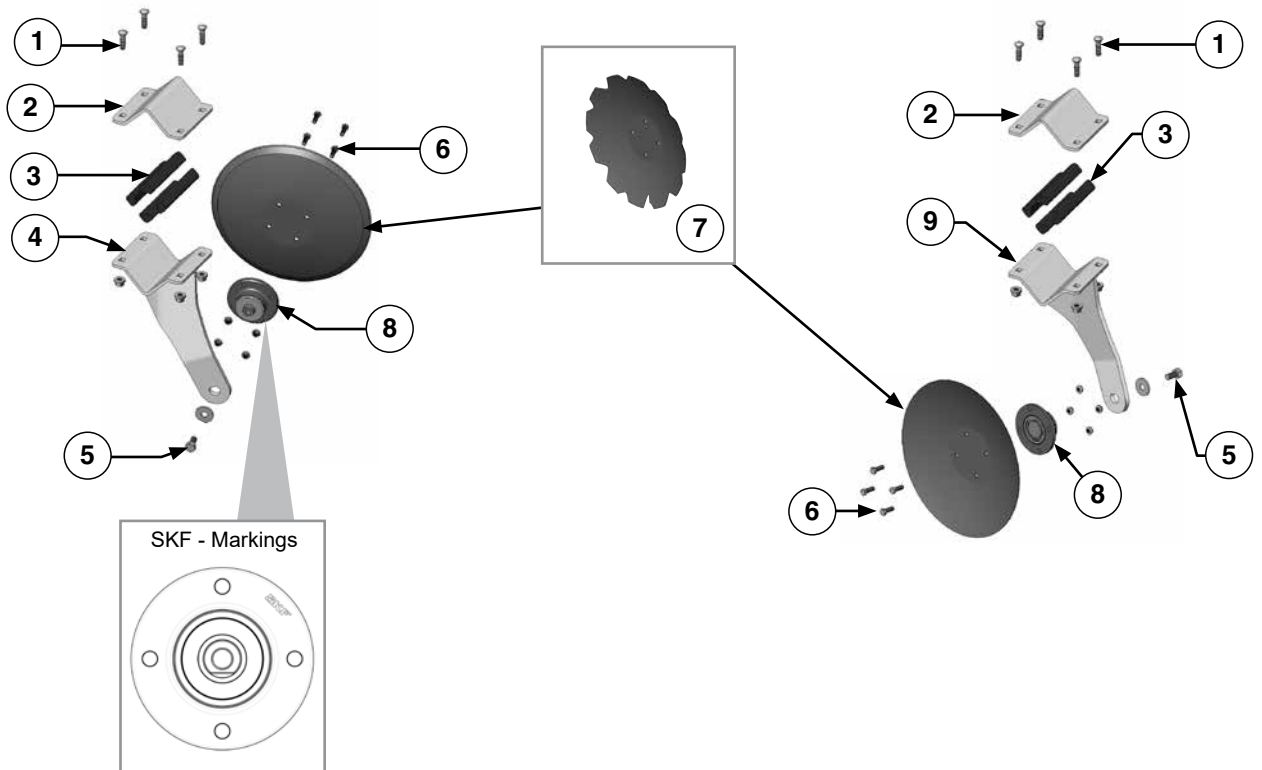
ITEM	PART NO.	QTY.	DESCRIPTION
1	G1117580	4	Carriage Bolt, 5/8" x 2 1/4", Grade 8
	G1117581	4	Flanged Top Lock Nut, 5/8"
2	GD572404BK	1	Disc Arm Clamp Plate
3	GD143549	4	Rubber Insert
4	GA119034	1	Pin, 3/4" x 4"
5	GA573360BK	1	Deflector Tub
6	GD573370BU	1	Deflector Plate
7	G1117438	2	Carriage Bolt, 3/4" x 2 1/2", Grade 8
	G1118635	2	Hardened Flat Washer, 2 5/32" I.D. x 2 1/4" O.D.
	G1117414	2	Lock Nut, 3/4"
8	GA573365BK	1	Deflector Mount



ITEM	PART NO.	QTY.	DESCRIPTION
1	G117580	4	Carriage Bolt, 5/8" x 2 1/4", Grade 8
2	GD572404BK	1	Disc Arm Clamp Plate
3	GD143549	4	Rubber Insert
4	GA573839BK	1	Base Tube Assembly
5	G1117581	4	Flanged Top Lock Nut, 5/8"
6	GA573832BK	1	Deflector Mount Arm
7	G1118040	1	Hex Bolt, 3/4" x 1 1/2", Grade 5
8	GA119036	1	Loop-Grip Pin, 3/4" x 4 1/2"
9	G10895	2	Hex Head Cap Screw, 3/4"-10 x 8 1/2"
10	G1118775	6	Flat Washer, 3/4" (M20)
11	GA573835BU	1	Deflector Clamp
12	G1118062	2	Hex Bolt, 3/4" x 5 1/2", Grade 8
13	G1117414	2	Lock Nut, 3/4"
	G1118635	2	Hardened Flat Washer, 25/32" I.D. x 2 1/4" O.D.
	G1117438	2	Carriage Bolt, 3/4" x 2 1/2", Grade 8
14	GD573842	2	Bushing, 1 1/2" O.D. x 25/32" I.D. x 3"
15	G1117414	5	Lock Nut, 3/4"
16	GD573841	1	Deflector Plate

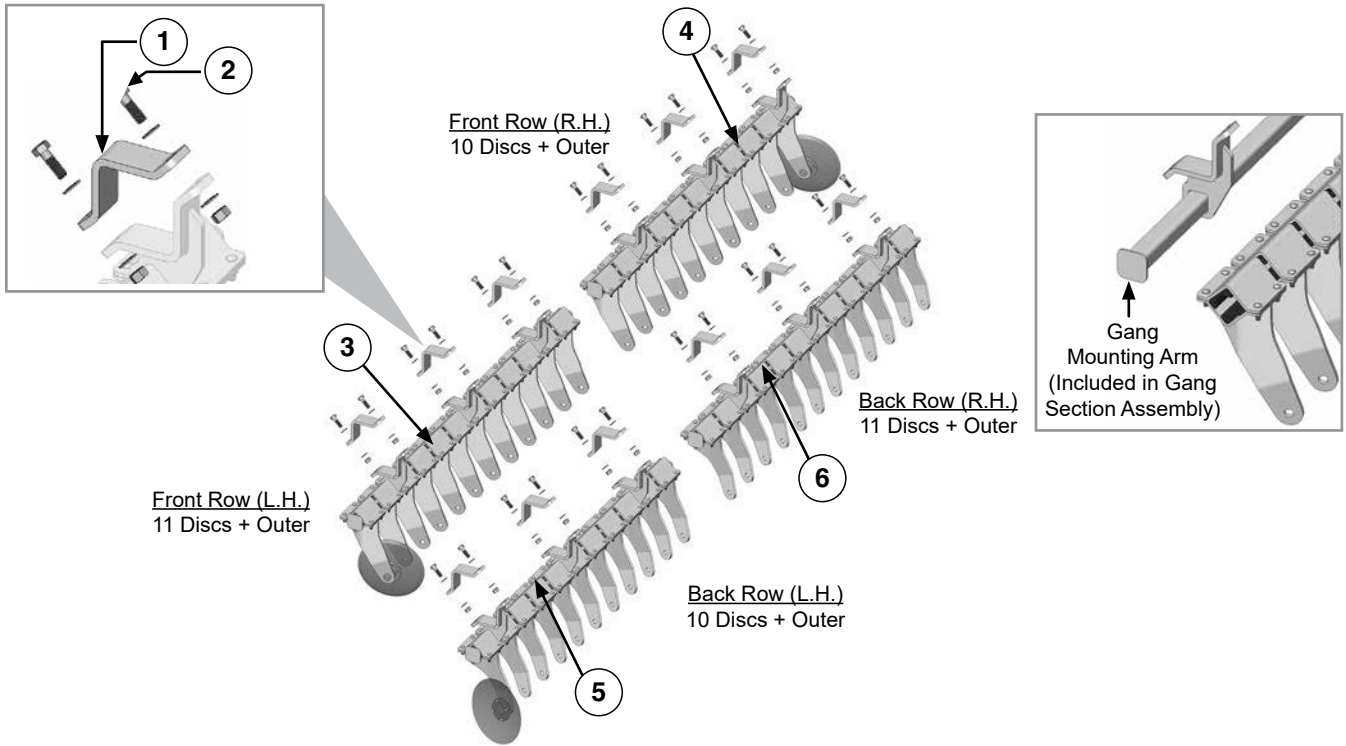
Front Row - Standard Disc Assembly Components

Back Row - Standard Disc Assembly Components

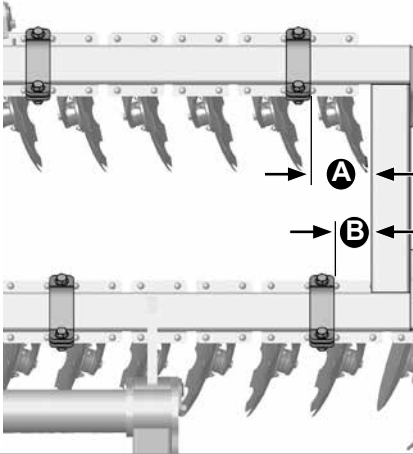


ITEM	PART NO.	QTY. (per arm)	DESCRIPTION
1	G1117580	4	Carriage Bolt, 5/8" x 2 1/4", Grade 8
	G1117581	4	Flanged Top Lock Nut, 5/8"
2	GD572404BK	1	Disc Arm Clamp Plate, Standard
	GD573764BK		Disc Arm Clamp Plate, Heavy Duty
3	GD143549	4	Rubber Insert, Standard
	GD143575		Rubber Insert, Heavy Duty
4	GA572401BK	1	Disc Arm Assembly, Front Row, Standard
	GA573758BK		Disc Arm Assembly, Front Row, Heavy Duty
5	G1117991	1	Flanged Hex Bolt, 3/4" x 1 1/2", Grade 8 (Apply Blue Loctite to Threads and Torque to 350 ft-lbs)
	G1118635	1	Hardened Flat Washer, 25/32" I.D. x 2 1/4" O.D.
6	G1118279	4	Hex Bolt, 1/2" x 1 1/2", Grade 8
	G1118468	4	Flanged Top Lock Nut, 1/2"
7	GD143556		Straight Disc Blade, 20"
	GD143550		Straight Disc Blade, 18"
	GD143553	-	Double V Disc Blade, 20"
	GD143562	-	Straight Disc Blade, 22"
	GD143566	-	Double V Disc Blade, 22"
	GD143565		Notched Disc Blade, 24"
	GD143577		Double V Disc Blade, 26"
8	GA131415	1	Disc Hub
9	GA572406BK	1	Disc Arm, Back Row, Standard
	GA573757BK		Disc Arm, Back Row, Heavy Duty

This page left blank intentionally.



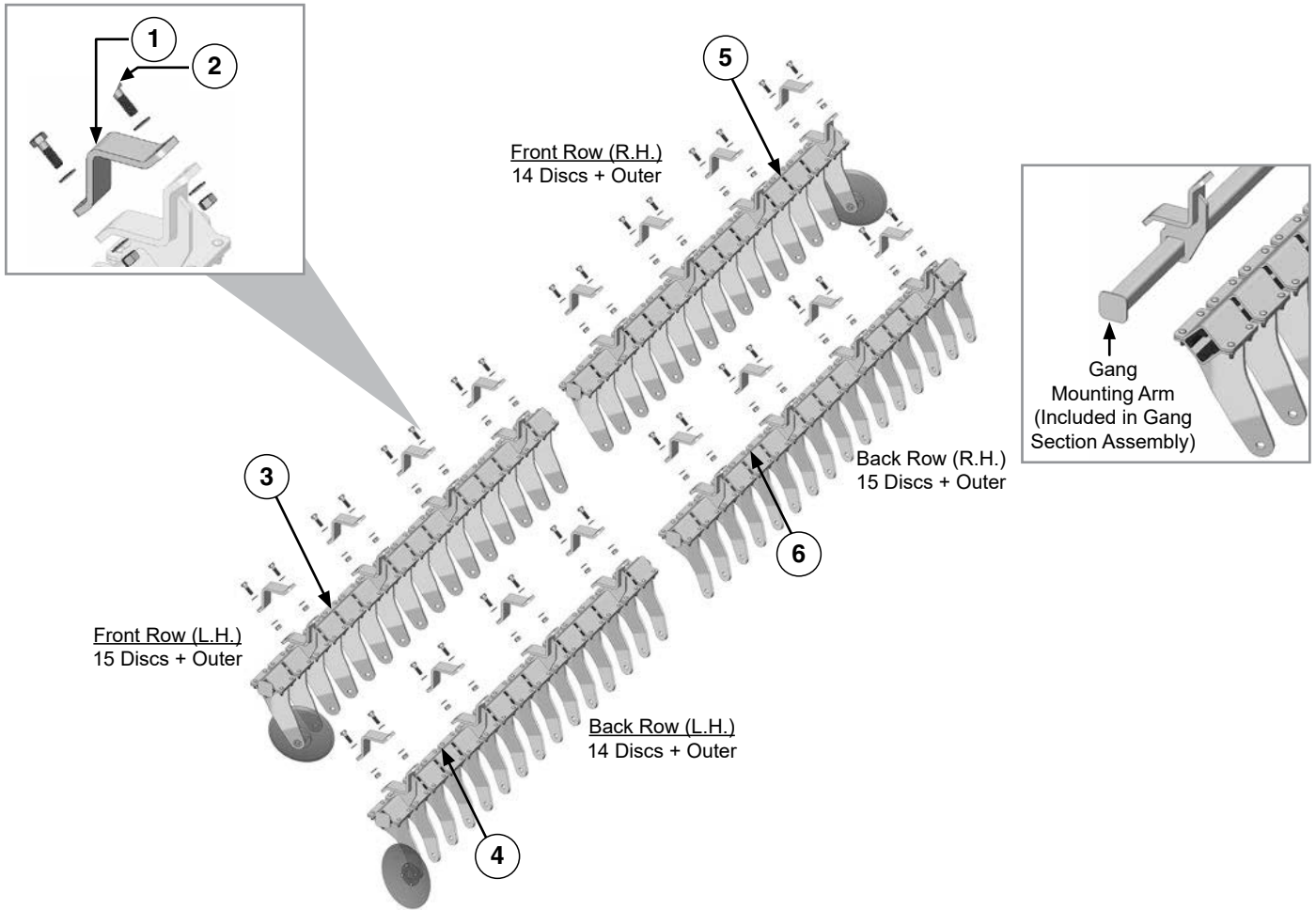
NOTE: See "Setting Gang Section Spacing - Overview" in Machine Operation for detailed instructions.



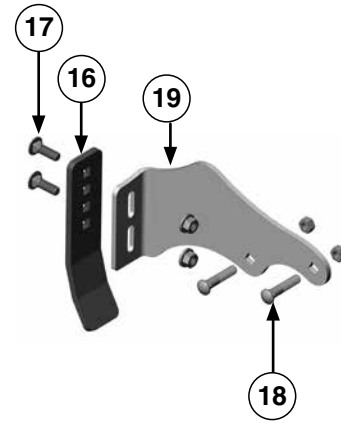
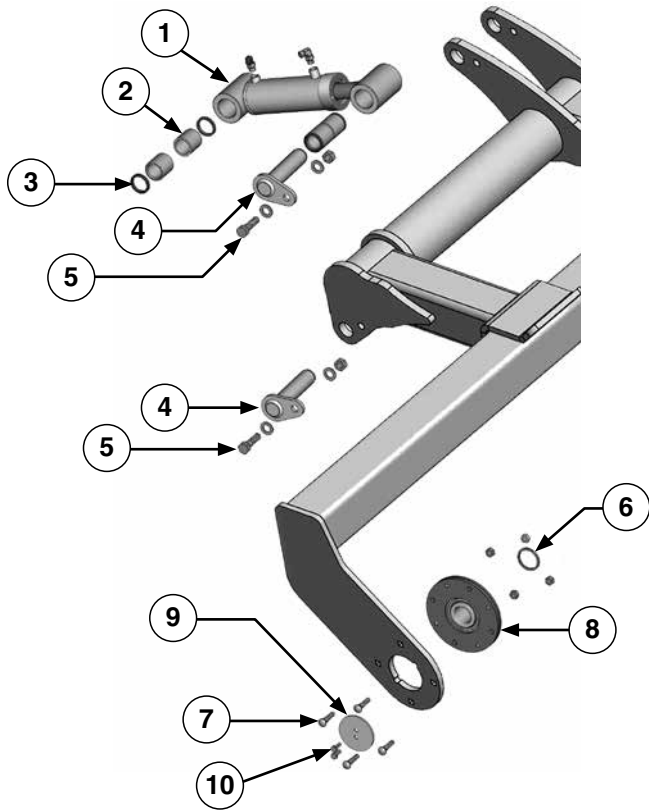
Step 1

Standard	Heavy Duty
<u>20" Discs</u>	<u>22" Discs</u>
A = 9 1/4"	A = 9 3/8"
B = 5 5/8"	B = 5 1/4"
OR	OR
<u>22" Discs</u>	<u>24" Discs</u>
A = 9 3/8"	A = 9 1/2"
B = 5 1/4"	B = 5 5/8"
	OR
	<u>26" Discs</u>
	A = 10"
	B = 4 7/8"

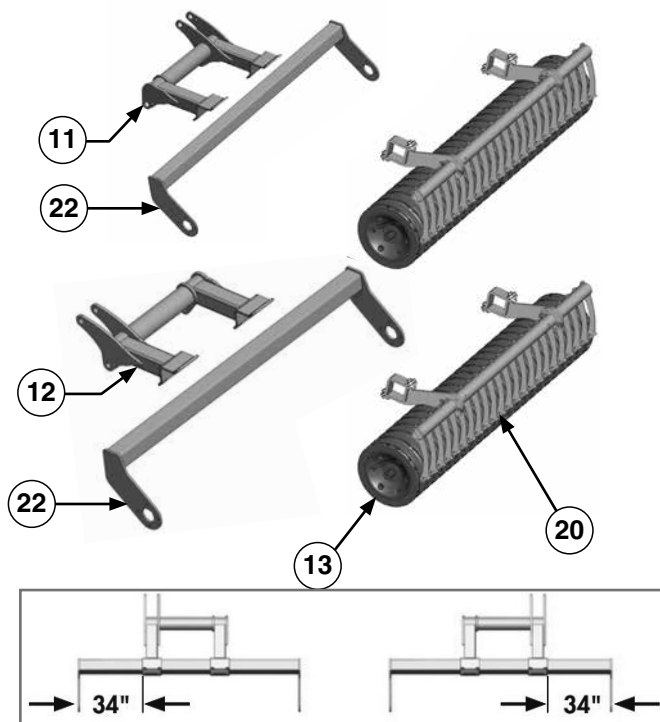
ITEM	PART NO.	QTY.	DESCRIPTION
1	GD572891BK	1	V-Clamp Plate
2	G1118134	2	Hex Bolt, 1" x 3", Grade 8
	G1131020	4	Flat Washer, 1"
	G1118911	2	Lock Nut, 1"
3	A572907BK	1	Standard Gang, 12 Arm (Non-Stock Item)
	GA572910BK	1	Standard 3M Gang Mounting Arm
	A573770BK	1	Heavy Duty Gang, 12 Arm (Non-Stock Item)
	GA573774BK	1	Heavy Duty 3M Gang Mounting Arm
4	A572906BK	1	Standard Gang, 11 Arm (Non-Stock Item)
	GA572898BK	1	Standard 3M Gang Mounting Arm, Short, R.H.
	A573772BK	1	Heavy Duty Gang, 11 Arm (Non-Stock Item)
	GA573776BK	1	Heavy Duty 3M Gang Mounting Arm, Short, R.H.
5	A572905BK	1	Standard Gang, 11 Arm (Non-Stock Item)
	GA572897BK	1	Standard 3M Gang Mounting Arm, Short, L.H.
	A573771BK	1	Heavy Duty Gang, 11 Arm (Non-Stock Item)
	GA573775BK	1	Heavy Duty 3M Gang Mounting Arm, Short, L.H.
6	A572904BK	1	Standard Gang, 12 Arm (Non-Stock Item)
	GA572910BK	1	Standard 3M Gang Mounting Arm
	A573773BK	1	Heavy Duty Gang, 12 Arm (Non-Stock Item)
	GA573774BK	1	Heavy Duty 3M Gang Mounting Arm



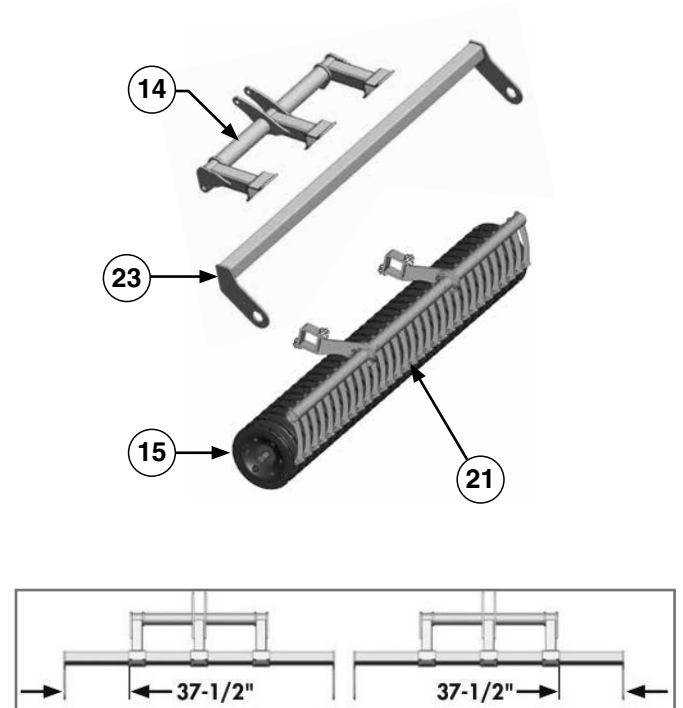
ITEM	PART NO.	QTY.	DESCRIPTION
1	GD572891BK	1	V-Clamp Plate
2	G1118134	2	Hex Bolt, 1" x 3", Grade 8
	G1131020	4	Flat Washer, 1"
	G1118911	2	Lock Nut, 1"
3	A572902BK	1	Standard Gang, 16 Arm (Non-Stock Item)
	GA572909BK	1	Standard 4M Gang Mounting Arm
	A573750BK	1	Heavy Duty Gang, 16 Arm (Non-Stock Item)
	GA573754BK	1	Heavy Duty 4M Gang Mounting Arm
4	A572901BK	1	Standard Gang, 15 Arm (Non-Stock Item)
	GA572895BK	1	Standard 4M Gang Mounting Arm, Short, L.H.
	A573751BK	1	Heavy Duty Gang, 15 Arm (Non-Stock Item)
	GA573755BK	1	Heavy Duty 4M Gang Mounting Arm, Short, L.H.
5	A572903BK	1	Standard Gang, 15 Arm (Non-Stock Item)
	GA572896BK	1	Standard 4M Gang Mounting Arm, Short, R.H.
	A573752BK	1	Heavy Duty Gang, 15 Arm (Non-Stock Item)
	GA573756BK	1	Heavy Duty 4M Gang Mounting Arm, Short, R.H.
6	A572900BK	1	Standard Gang, 16 Arm (Non-Stock Item)
	GA572909BK	1	Standard 4M Gang Mounting Arm
	A573753BK	1	Heavy Duty Gang, 16 Arm (Non-Stock Item)
	GA573754BK	1	Heavy Duty 4M Gang Mounting Arm



Roller Frame Components, Mach Till 201

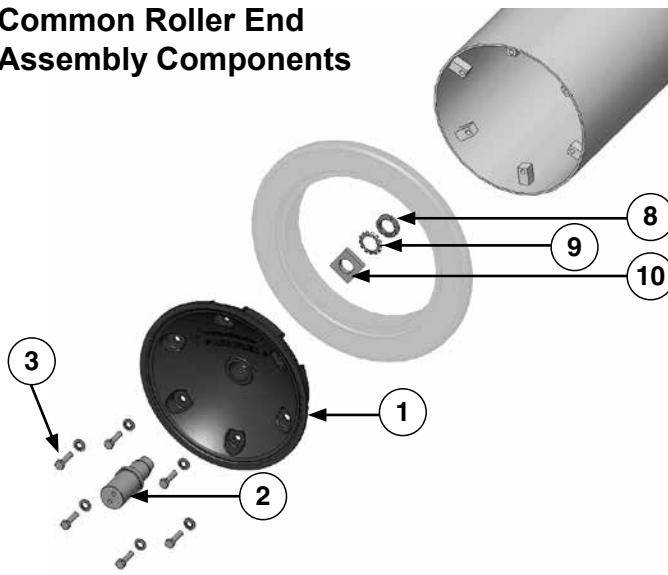


Roller Frame Components, Mach Till 261

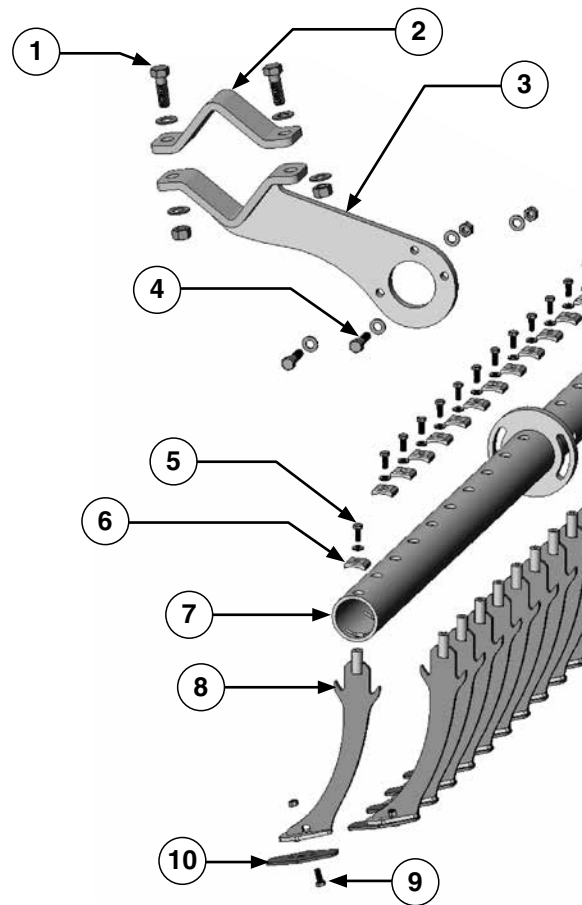


ITEM	PART NO.	QTY.	DESCRIPTION
1	GA123065BK GR123051	1 -	Hydraulic Cylinder, 3¾" x 8" x 2" Seal Kit
2	GD117225	4	Bushing, 2½" O.D. x 2" I.D. x 2½"
3	GD133135	4	Wiper Seal
4	GD575195 GD575194	3 3	Pin, 2" x 9¼" Pin Plate
5	G1118767 G1118774 G1117416	3 6 3	Hex Bolt, 7/8" x 3", Grade 8 Flat Washer, 7/8" Lock Nut, 7/8"
6	GD572786	2	Roller Spacer
7	G1117579 G1118447	8 8	Carriage Bolt, 5/8" x 2½", Grade 8 Lock Nut, 5/8"
8	GD117171 G1117172	2 1	Bearing Bearing Insert
9	GD572428	2	Washer, 2 Hole
10	G1118186	4	Hex Bolt, ½" x 1¼", Grade 8 (Apply Blue Loctite to Threads)
11	GA573611BU GD573278BU G1118134 G1131020 G1118911	1 2 8 16 8	Roller Wing Mount, R.H., Mach Till 201 V-Clamp Hex Bolt, 1" x 3", Grade 8 Flat Washer, 1" Lock Nut, 1", UniTorque
12	GA573610BU GD573278BU G1118134 G1131020 G1118911	1 2 8 16 8	Roller Wing Mount, L.H., Mach Till 201 V-Clamp Hex Bolt, 1" x 3", Grade 8 Flat Washer, 1" Lock Nut, 1", UniTorque
13	GA131845	2	3M Roller, Mach Till 201
14	GA573612BU GD573278BU G1118134 G1131020 G1118911	2 6 24 48 24	Roller Wing Mount, Mach Till 261 V-Clamp Hex Bolt, 1" x 3", Grade 8 Flat Washer, 1" Lock Nut, 1", UniTorque
15	GA131855	2	4M Roller, Mach Till 261
16	GD573387BK	1	Ridge Wiper
17	G1118221 G1117581	2 2	Hex Bolt, 5/8" x 2" Flanged Top Lock Nut, 5/8"
18	G1117460 G1118447	2 2	Hex Bolt, 5/8" x 3", Grade 8 Lock Nut, 5/8"
19	GD573386BU	1	Ridge Wiper Mount
20	GA572976BK	2	3M Max Life Scraper Section, Mach Till 201
21	GA572977BK	2	4M Max Life Scraper Section, Mach Till 261
22	GA573305BU	2	Roller Frame, Mach Till 201
23	GA573615BU	2	Roller Frame, Mach Till 261

Common Roller End Assembly Components



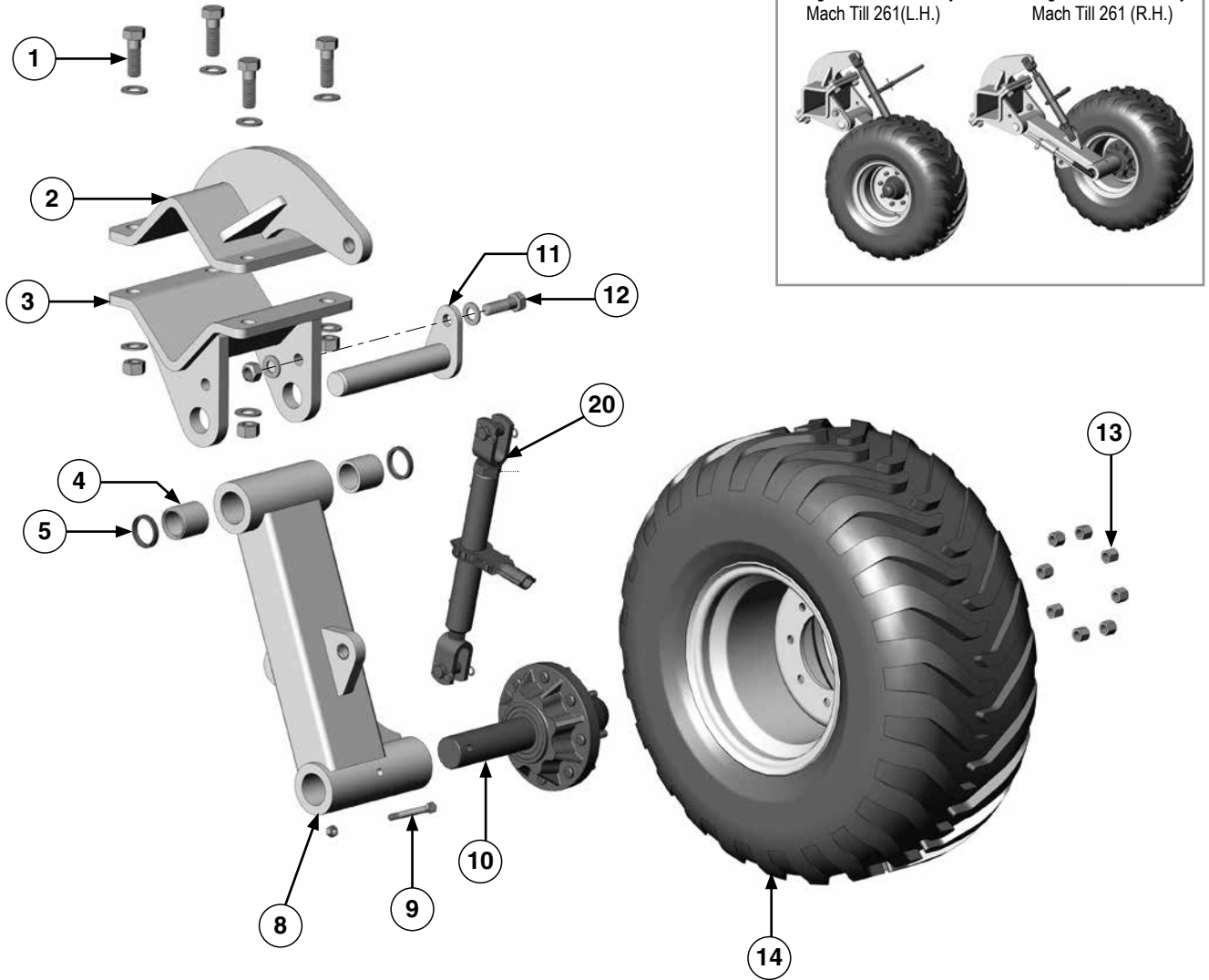
ITEM	PART NO.	QTY.	DESCRIPTION
1	GR131712	2	End Plate
2	GR131717	2	End Axle Shaft
3	GR131725	12	Roller End Plate Washer
	GR117572	12	Hex Bolt, M14 x 50 - 10.9
4	GR131730	1	3M Tube Assembly (Mach Till 201)
	GR131816	1	4M Tube Assembly (Mach Till 261)
5	GR131848	2	Middle Rubber Ring
6	GR131847	-	Standard Rubber Ring (3M = Qty.: 20; 4M = Qty.: 28)
7	GR131846	2	End Rubber Ring
8	GR131722	2	Axle Lock Nut
9	GR131723	2	Axle Lock Washer
10	GR131716	2	Axle Key



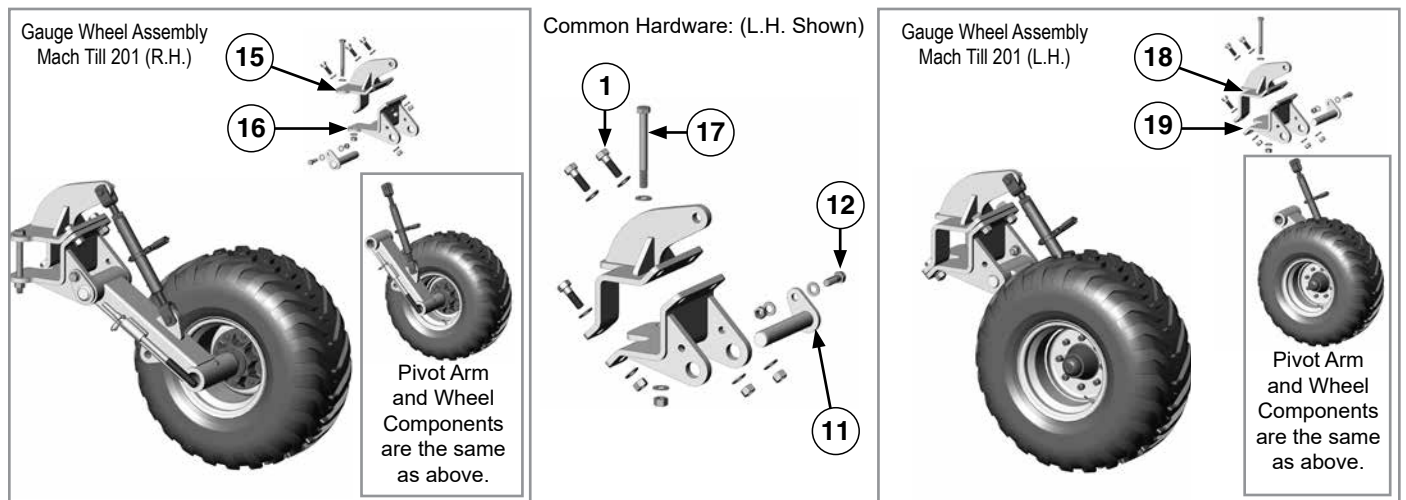
ITEM	PART NO.	QTY.	DESCRIPTION
1	G1118134	4	Hex Bolt, 1" x 3", Grade 8
	G1131020	8	Flat Washer, 1"
	G1118911	4	Lock Nut, 1"
2	GD572891BK	2	V-Clamp Plate
3	GA572962BK	2	Frame Mounting Arm
4	G1117486	4	Hex Bolt, 3/4" x 2 3/4", Grade 8
	G1118775	8	Flat Washer, 3/4"
	G1117414	4	Lock Nut, 3/4"
5	G1118186	-	Hex Bolt, 1/2" x 1 1/4", Grade 8 (Apply Blue Loctite to Threads)
	G1117599	-	Lock Washer, 1/2"
6	GD110067	-	Scraper Washer
7	GA572936BK	1	3M Scraper Mount
	GA572933BK	1	4M Scraper Mount
8	GD110066BK	-	Scraper Mounting Arm
9	G1118186	-	Hex Bolt, 1/2" x 1 1/4", Grade 8
	G1118729	-	Lock Nut, 1/2"
10	GD572957	1	Max-Life Scraper Blade
	GD572649	46	Max-Life Scraper Blade Package, Set of 46 (Mach Till 201)
	GD572650	62	Max Life Scraper Blade Package, Set of 62 (Mach Till 261)

NOTE: Refer To "Torque Values Charts" and "Tire Pressure" in Lubrication and Maintenance Section of Operator Manual

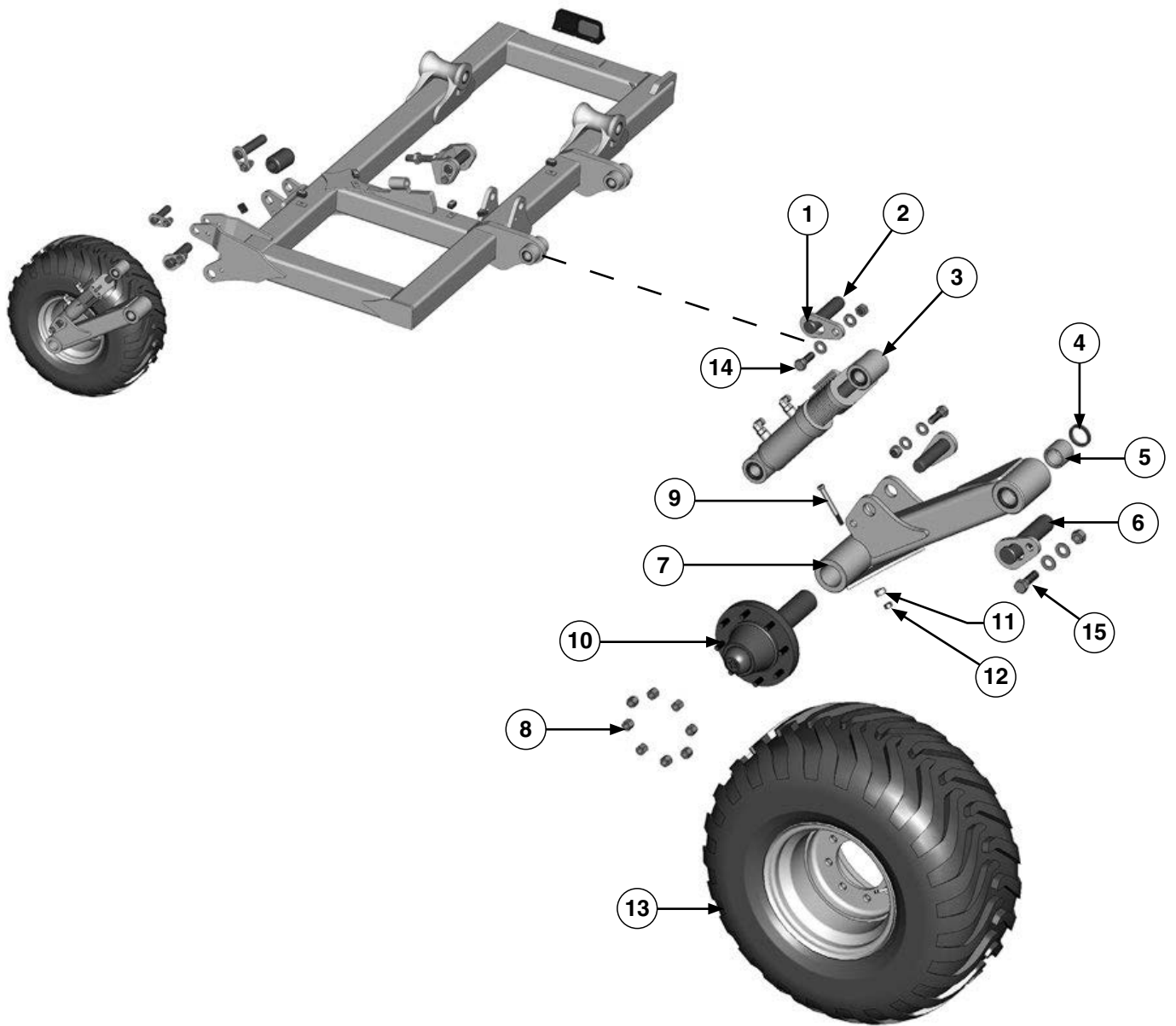
Mach Till 261



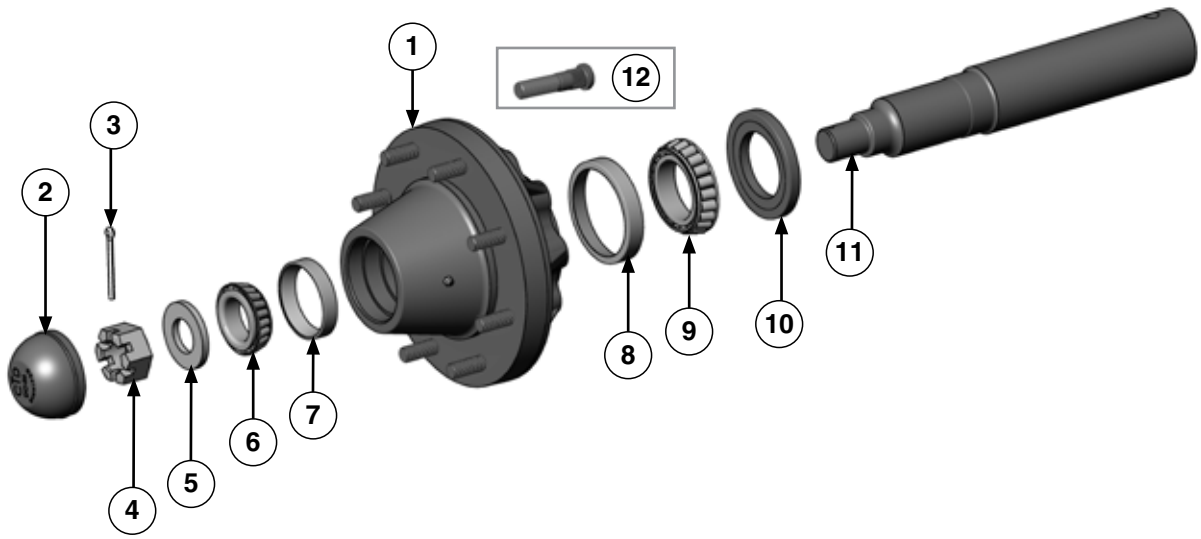
Mach Till 201



ITEM	PART NO.	QTY.	DESCRIPTION
1	G1118134	4	Hex Bolt, 1" x 3", Grade 8
	G1131020	8	Flat Washer, 1"
	G1118911	4	Lock Nut, 1"
2	GA573131BU	1	Jack V-Clamp
3	GA573156BU	1	Pivot Arm V-Clamp
4	GD117225	2	Bushing, 2½" O.D. x 2" I.D. x 2½"
5	GD133135	2	Wiper Seal
6	---	---	---
7	---	---	---
8	GA573155BU	1	Gauge Wheel Pivot Arm
9	G1118721	1	Hex Bolt, ½" x 4½", Grade 8
	GD242982	1	Bushing
	G1118729	1	Lock Nut, ½"
10	--	-	See "Gauge Wheel Hub Assembly" on page P33
11	GD575197	1	Pin, 2" x 12¼"
	GD575194	1	Pin Plate
12	G1118767	1	Hex Bolt, 7/8" x 3", Grade 8
	G1118774	2	Flat Washer, 7/8"
	G1117416	1	Lock Nut, 7/8"
13	G1131776	8	Wheel Nut, 5/8", Grade 5
14	GR131852	1	Tire, 400/60-15.5
	GR131853	1	Rim
	GR131521	1	Valve Stem
15	GA573169BU	1	Jack V-Clamp, R.H.
16	GA573168BU	1	Pivot Arm V-Clamp, R.H.
17	G1117407	1	Hex Bolt, 1" x 9½", Grade 5
	G1131020	8	Flat Washer, 1"
18	GA573192BU	1	Jack V-Clamp, L.H.
19	GA573191BU	1	Pivot Arm V-Clamp, L.H.
20	GA132016	1	Ratchet Jack
	GD572930	1	Handle Grip, Black
A	GA131851GY	-	Wheel Assembly, L.H. (Includes Items: 14)
	GA131850GY	-	Wheel Assembly, R.H. (Includes Items: 14)

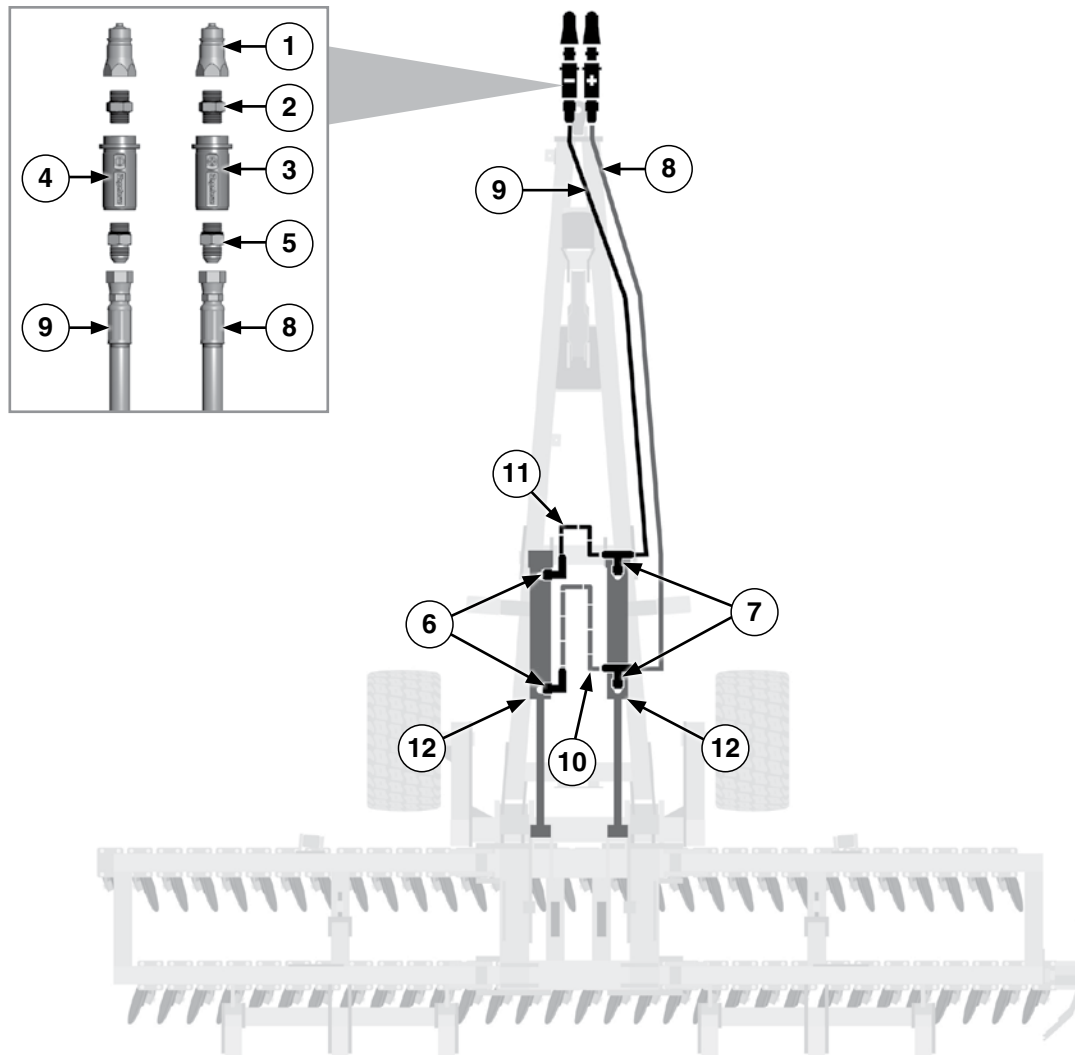


ITEM	PART NO.	QTY.	DESCRIPTION
1	GD249950	2	Pin Plate
2	GD249954	2	Pin, 1½" x 6½"
3	GA123740BK	1	Hydraulic Cylinder, 3" x 4" x 1½"
4	GD133135	2	Wiper Seal
5	GD117225	2	Bushing, 2½" O.D. x 2" I.D. x 2½"
6	GD575193	1	Pin, 2" x 7 ⁹ / ₁₆ "
	GD575194	1	Pin Plate
7	GA573690BU	1	Arm Assembly, L.H.
	GA573691BU	1	Arm Assembly, R.H.
8	G1131776	8	Wheel Nut, 5/8", Grade 5
9	G1118721	1	Hex Bolt, ½" x 4½", Grade 8
10	---	1	See "Gauge Wheel Hub Assembly" on page P33
11	GD242982	1	Bushing
12	G1118729	1	Lock Nut, ½"
13	GR131852	1	Tire, 400/60-15.5
	GR131853	1	Rim
	GR131521	1	Valve Stem
14	G1118743	2	Bolt, ¾" x 2¼", Grade 5
	G1118775	4	Flat Washer, ¾" (M20)
	G1117414	2	Lock Nut, ¾"
15	G1117416	1	Lock Nut, 7/8"
	G1118774	2	Flat Washer, 7/8"
	G1117426	1	Bolt, 7/8" x 2¾", Grade 8
A	GA131851GY	-	Wheel Assembly, L.H. (Includes Items: 13)
	GA131850GY	-	Wheel Assembly, R.H. (Includes Items: 13)



ITEM	PART NO.	QTY.	DESCRIPTION
1	GR131737	1	Hub W/Cups
2	GR131739	1	Hub Cap
3	GR117555	1	Cotter Pin, 3/16" x 2 1/4"
4	GR131740	1	Castle Nut, 1 1/4"
5	GR131741	1	Flat Washer, 1 5/16" x 1/4"
6	GR131745	1	Outer Bearing Cone
7	GR131746	1	Outer Bearing Cup
8	GR131028	1	Inner Bearing Cup
9	GR131744	1	Inner Bearing Cone
10	GR131742	1	Dust Seal
11	GR131736	1	Spindle
12	GR131775	-	Wheel Stud
A	GR131735	-	Hub Assembly (Includes: Items 1-12)

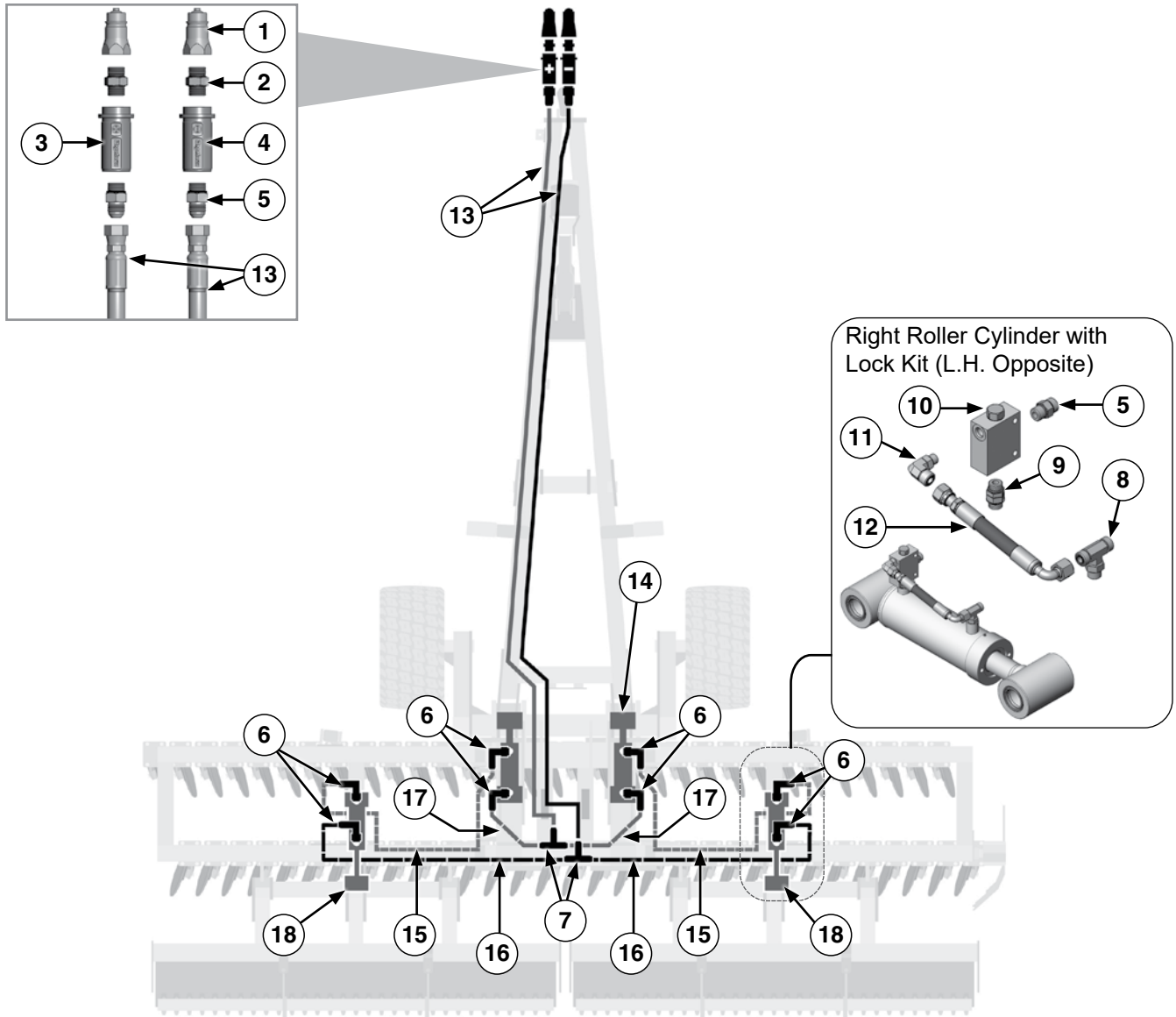
This page left blank intentionally.



ITEM	PART NO.	QTY.	DESCRIPTION
1	GD141581	2	Quick Coupler
2	GD141676	2	Nipple
3	GD141686BU	1	Coupler, Brown (+)
4	GD141687BU	1	Coupler, Brown (-)
5	GD141703	2	Adaptor, 1/2" ORB M x 1/2" ORFS M
6	GA141704	2	90° Elbow, 1/2" ORB M x 1/2" ORFS M
7	GD141707	2	Tee, 1/2" ORFS M x 1/2" ORFS M x 1/2" ORB M
8	*A126720	1	Hose Assembly, 3/8" x 254" (Mach Till 261)
	*A126716	1	Hose Assembly, 3/8" x 206" (Mach Till 201)
9	*A126719	1	Hose Assembly, 3/8" x 212" (Mach Till 261)
	*A126715	1	Hose Assembly, 3/8" x 164" (Mach Till 201)
10	*A126714	1	Hose Assembly, 3/8" x 140"
11	*A126713	1	Hose Assembly, 3/8" x 56"
12	GA123068BK	2	Hydraulic Cylinder, 5" x 40" x 2 1/2"
	GR123069	-	Seal Kit

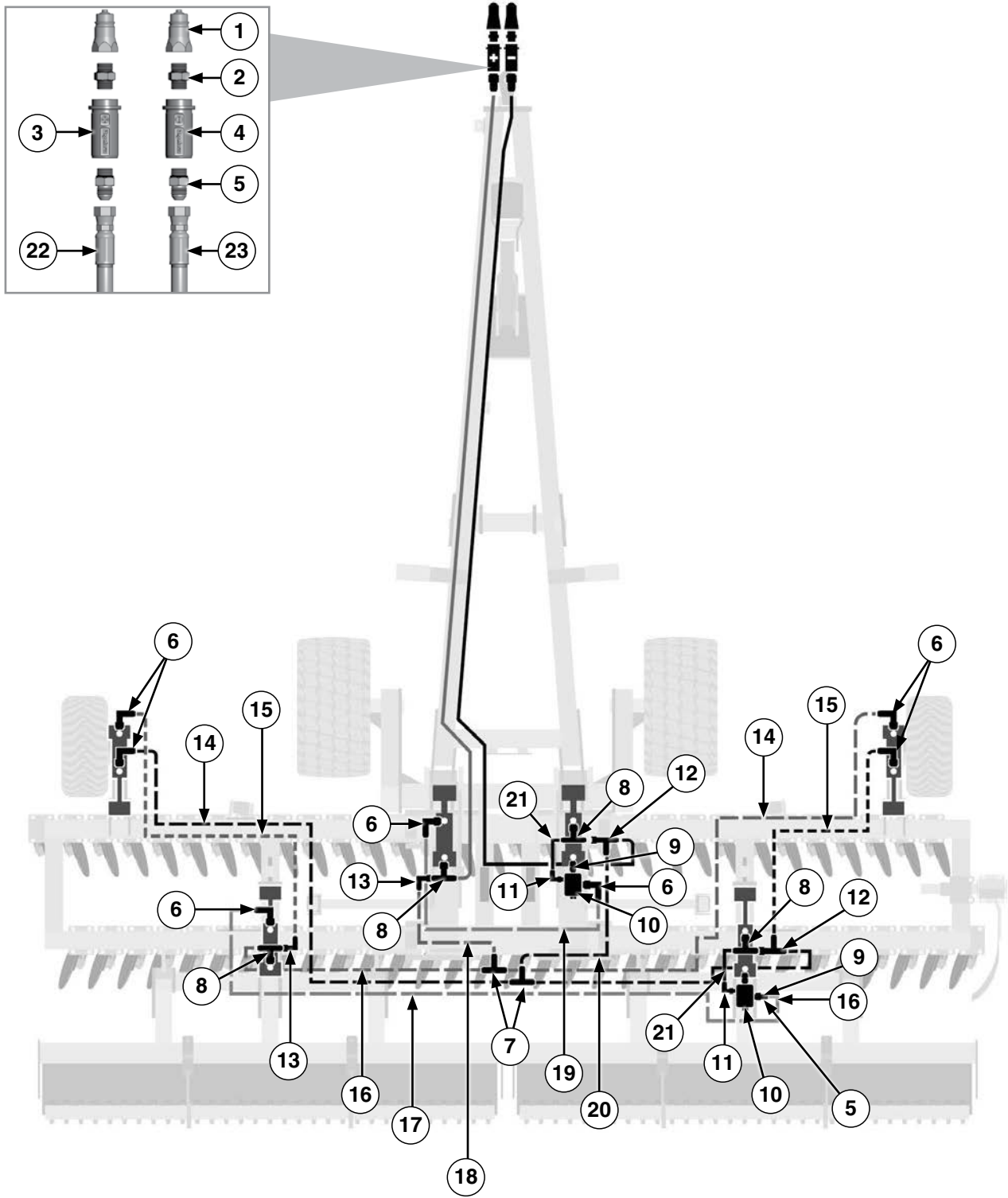
*Hydraulic hose is not stocked by Kinze Repair Parts.

This page left blank intentionally.



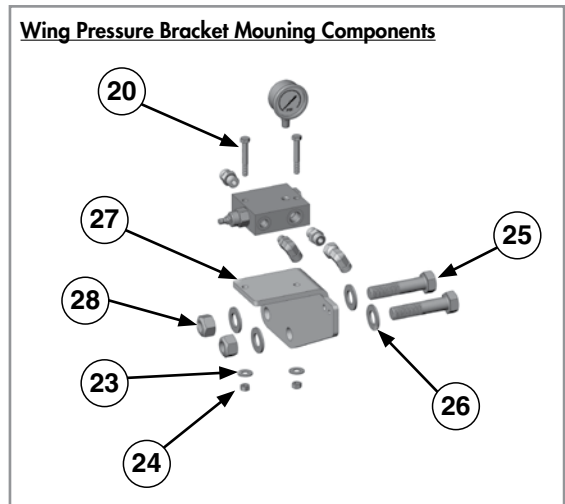
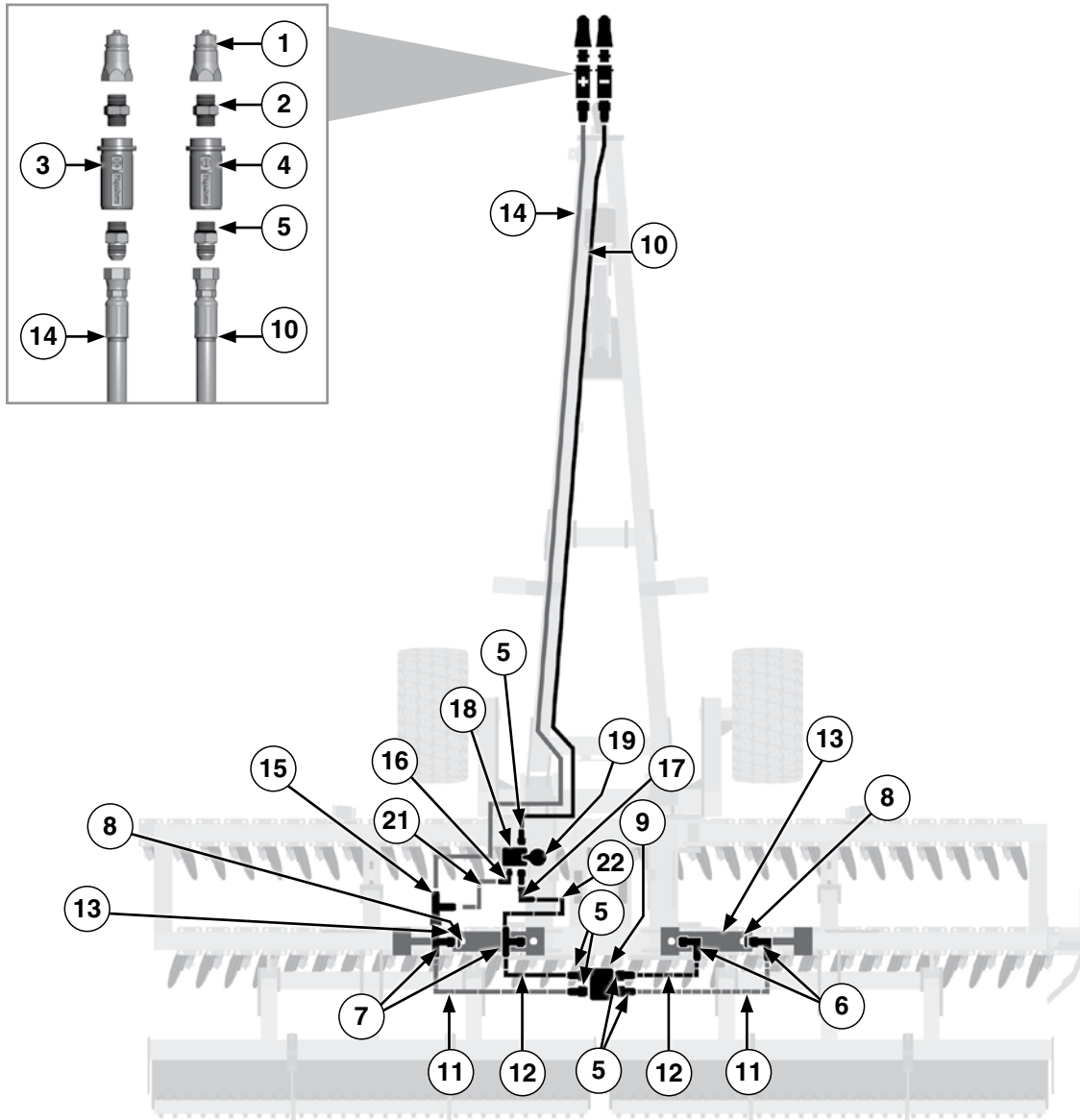
ITEM	PART NO.	QTY.	DESCRIPTION
1	GD141581	2	Quick Coupler
2	GD141676	2	Nipple
3	GD141684BU	1	Coupler, Green (+)
4	GD141685BU	1	Coupler, Green (-)
5	GD141703	4	Adaptor, 1/2" ORB M x 1/2" ORFS M
6	GA141704	4	90° Elbow, 1/2" ORB M x 1/2" ORFS M
7	GD141706	2	Tee, 1/2" ORFS
8	GD141707	2	Nipple, 3/4" ORB Male x 3/4" ORB
9	GD141679	2	Nipple, 3/4" ORB Male x 3/4" ORB
10	GD141735	2	Hydraulic Check Valve
11	GA141711	2	90° Elbow, 1/2" ORFS M x 9/16" ORB M
12	*A126755	2	Hose Assembly, 1/2" x 8 1/2" ORFS F-SW-1 EL
13	*A126721	2	Hose Assembly, 3/8" x 370" (Mach Till 261)
	*A126717	2	Hose Assembly, 3/8" x 322" (Mach Till 201)
14	GA123066BK	2	Hydraulic Cylinder, 4 1/4" x 8" x 2"
	GR123046	-	Seal Kit
15	*A126710	2	Hose Assembly, 3/8" x 124"
16	*A126709	2	Hose Assembly, 3/8" x 112"
17	*A126708	2	Hose Assembly, 3/8" x 37"
18	GA123065BK	2	Hydraulic Cylinder, 3 3/4" x 8" x 2"
	GR123051	-	Seal Kit

*Hydraulic hose is not stocked by Kinze Repair Parts.



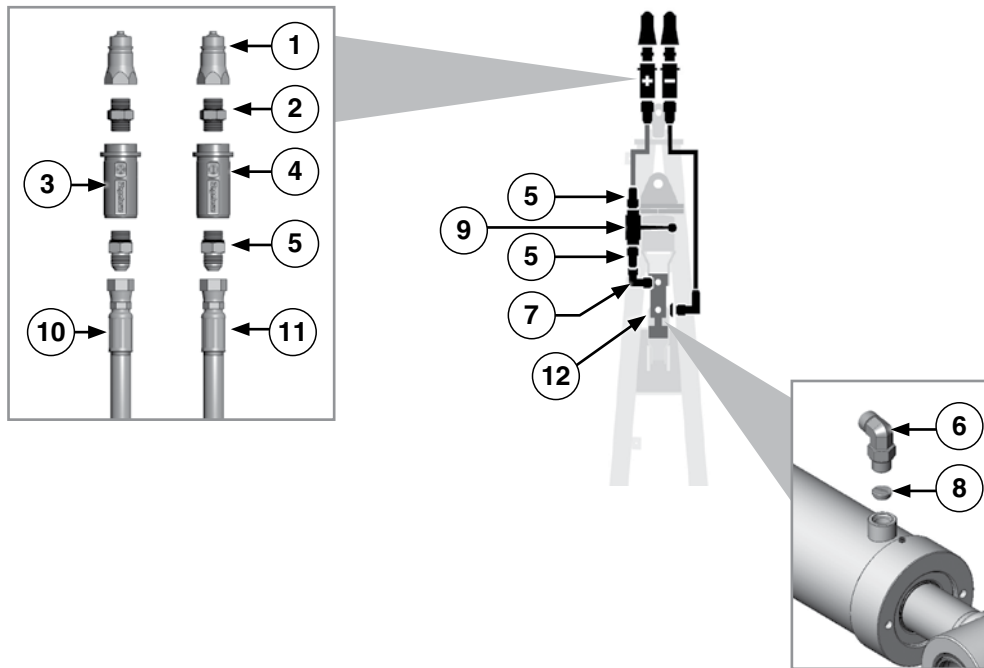
ITEM	PART NO.	QTY.	DESCRIPTION
1	GD141581	2	Quick Coupler
2	GD141676	2	Nipple
3	GD141684BU	1	Coupler, Green (+)
4	GD141685BU	1	Coupler, Green (-)
5	GD141703	4	Adaptor, 1/2" ORB M x 1/2" ORFS M
6	GA141704	4	90° Elbow, 1/2" ORB M x 1/2" ORFS M
7	GD141706	2	Tee, 1/2" ORFS
8	GD141707	2	Nipple, 3/4" ORB Male x 3/4" ORB
9	GD141679	2	Nipple, 3/4" ORB Male x 3/4" ORB
10	GD141735	2	Hydraulic Check Valve
11	GA141711	2	90° Elbow, 1/2" ORFS M x 9/16" ORB M
12	GD141727	2	Tee, 1/2" ORFS M x F-SW x M
13	GD141715	2	90° Elbow, 1/2" ORFS M x ORFS F-SW
14	*A126917	2	Hose Assembly, 3/8" x 322" (Mach Till 261)
	*A126920	2	Hose Assembly, 3/8" x 177" (Mach Till 201)
15	*A126915	2	Hose Assembly, 3/8" x 128" (Mach Till 261)
	*A126919	2	Hose Assembly, 3/8" x 109" (Mach Till 201)
16	*A126914	2	Hose Assembly, 3/8" x 118"
17	*A126916	1	Hose Assembly, 3/8" x 237"
18	*A126911	1	Hose Assembly, 3/8" x 39"
19	*A126913	1	Hose Assembly, 3/8" x 91"
20	*A126912	1	Hose Assembly, 3/8" x 47"
21	*A126755	1	Hose Assembly, 3/8" x 8"
22	*A126721	1	Hose Assembly, 3/8" x 370" (Mach Till 261)
	*A126717	1	Hose Assembly, 3/8" x 322" (Mach Till 201)
23	*A126918	1	Hose Assembly, 3/8" x 420" (Mach Till 261)
	*A126721	1	Hose Assembly, 3/8" x 370" (Mach Till 201)
24	GA123065BK	2	Hydraulic Cylinder, 3 3/4" x 8" x 2"
	GR123051	-	Seal Kit
25	GA123075BK	2	Hydraulic Cylinder, 4 1/4" x 8" x 2"
	GR123046	-	Seal Kit
26	GA123740BK	2	Hydraulic Cylinder, 3" x 4" x 1 1/2"
	GR123740	-	Seal Kit

*Hydraulic hose is not stocked by Kinze Repair Parts.



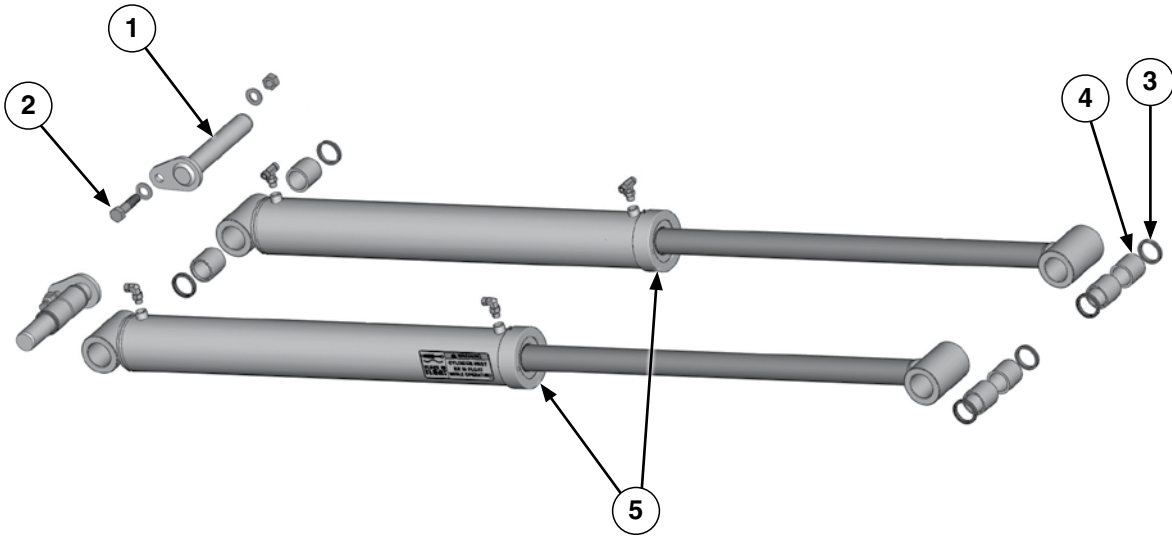
ITEM	PART NO.	QTY.	DESCRIPTION
1	GD141581	2	Quick Coupler
2	GD141676	2	Nipple
3	GD141682BU	1	Coupler, Blue (+)
4	GD141683BU	1	Coupler, Blue (-)
5	GD141703	8	Adaptor, 1/2" ORB M x 1/2" ORFS M
6	GA141704	2	90° Elbow, 1/2" ORB M x 1/2" ORFS M
7	GD141707	2	Tee, 1/2" ORFS M x 1/2" ORFS M x 1/2" ORB M
8	GD122668	2	Orifice, 3/4"-16
9	GA141524	1	Relief Valve, 2000 PSI
10	*A126721	1	Hose Assembly, 3/8" x 370" (Mach Till 261)
	*A126717	1	Hose Assembly, 3/8" x 322" (Mach Till 201)
11	*A126712	2	Hose Assembly, 3/8" x 50"
12	*A126707	2	Hose Assembly, 3/8" x 32"
13	GA123067BK	2	Hydraulic Cylinder, 4" x 20" x 2"
	GR123049	-	Seal Kit
14	*A126722	1	Hose Assembly, 3/8" x 388" (Mach Till 261)
	*A126718	1	Hose Assembly, 3/8" x 344" (Mach Till 201)
15	GD141727	1	Tee, No. 8 ORFS M x F-SW x M Parker, No. 8R6LOS
16	GA141711	1	90° Elbow, 1/2" ORFS M x 1/16" ORB M
17	GD141715	1	90° Elbow, 1/2" ORFS M x ORFS F-SW
18	GA141740	1	Reducing Relieving Valve Assembly
19	GA27098	1	Pressure Gauge, 0-3000 PSI
20	G10049	2	Hex Head Cap Screw, 3/8"-16 x 2 1/2"
21	*A126796	1	Hose Assembly, 3/8" x 52"
22	*A126797	1	Hose Assembly, 3/8" x 26"
23	G1118511	2	Flat Washer, 3/8"
24	G1118417	2	Lock Nut, 3/8", Grade 5
25	G1117474	2	Hex Bolt, 7/8" x 4", Grade 8
26	G1118774	4	Flat Washer, 7/8"
27	GD573619BU	1	Pressure Valve Mount
28	G1117416	2	Lock Nut, 7/8"

*Hydraulic hose is not stocked by Kinze Repair Parts.



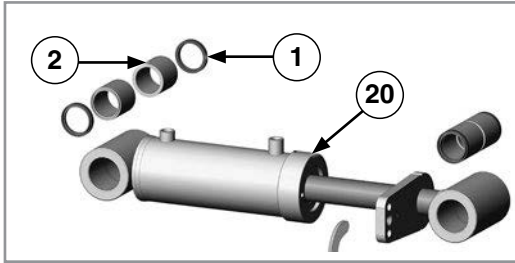
ITEM	PART NO.	QTY.	DESCRIPTION
1	GD141581	2	Quick Coupler
2	GD141676	2	Nipple
3	GD141688BU	1	Coupler, Black (+)
4	GD141689BU	1	Coupler, Black (-)
5	GD141703	4	Adaptor, 1/2" ORB M x 1/2" ORFS M
6	GA141704	1	90° Elbow, 1/2" ORB M x 1/2" ORFS M
7	GA141705	1	90° Elbow, 1/2" ORB M x 1/2" ORFS F-SW
8	GD122668	1	Orifice, 3/4"-16
9	GA141597	1	Ball Valve, 7250 PSI
10	*A126709	1	Hose Assembly, 3/8" x 112"
11	*A126710	1	Hose Assembly, 3/8" x 124"
12	GA123412BK GR123049	1 -	Hydraulic Cylinder, 4" x 8" x 2" Seal Kit

*Hydraulic hose is not stocked by Kinze Repair Parts.

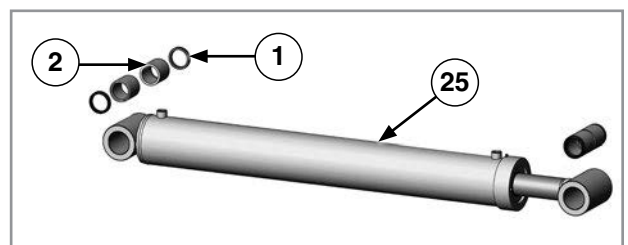
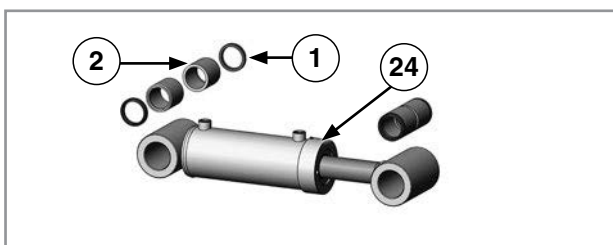
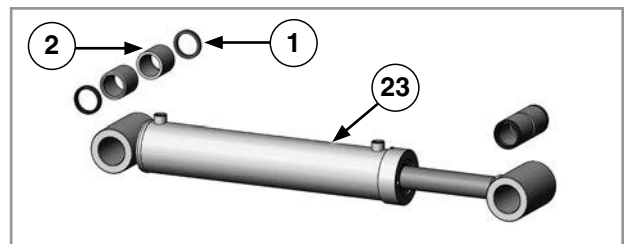
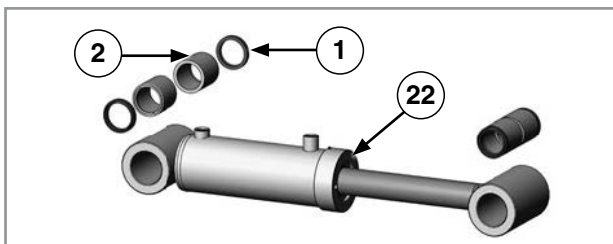
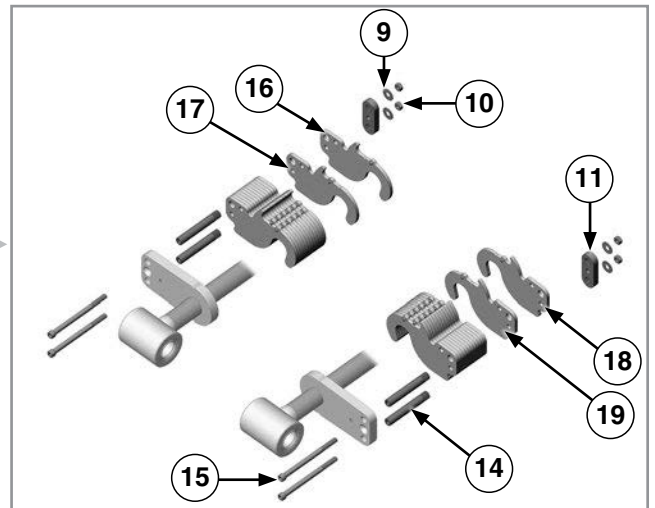
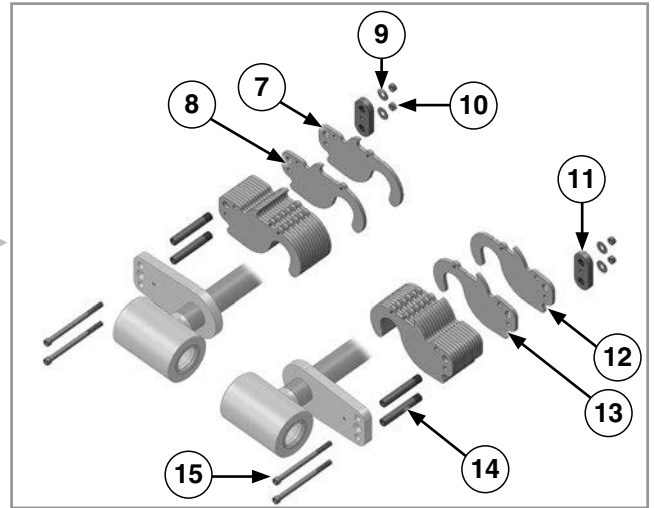
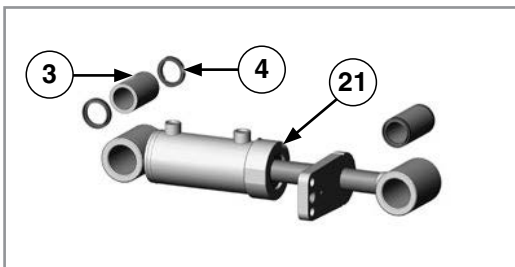
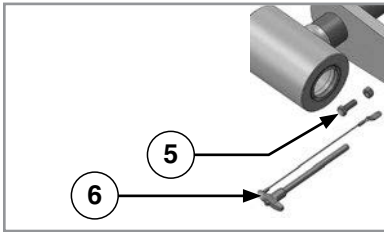


ITEM	PART NO.	QTY.	DESCRIPTION
1	GD575197	2	Pin, 2" x 12¼"
	GD575194	2	Pin Plate
2	G1118767	2	Hex Bolt, 7/8" x 3"
	G1118774	4	Flat Washer, 7/8"
	G1117416	2	Lock Nut, 7/8"
3	GD133135	8	Wiper Seal
4	GD117225	8	Bushing, 2½" O.D. x 2" I.D. x 2½"
5	GA123068BK	2	Hydraulic Cylinder, 5" x 40" x 2½"
	GR123069	-	Seal Kit

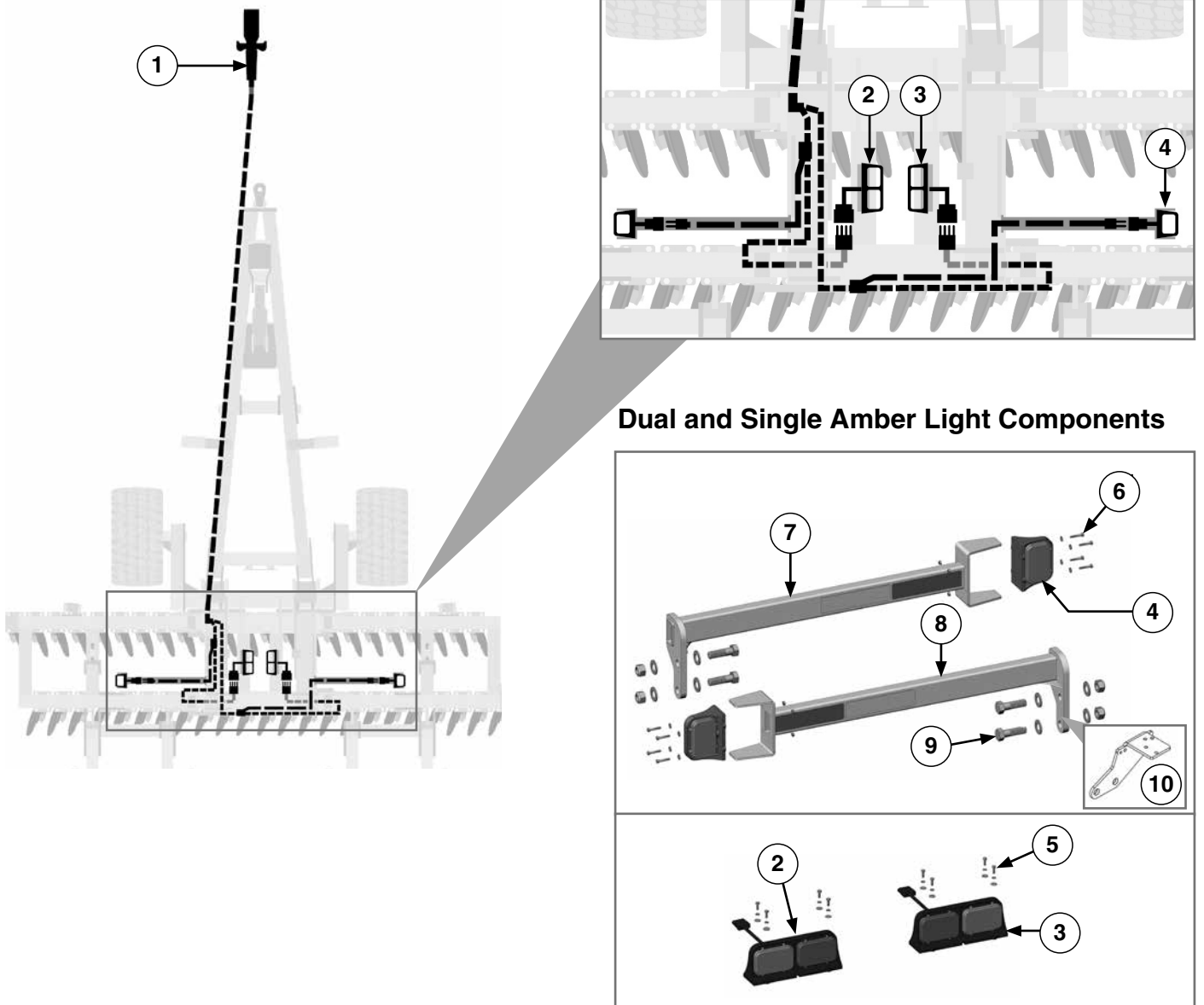
Rock Shaft Cylinder



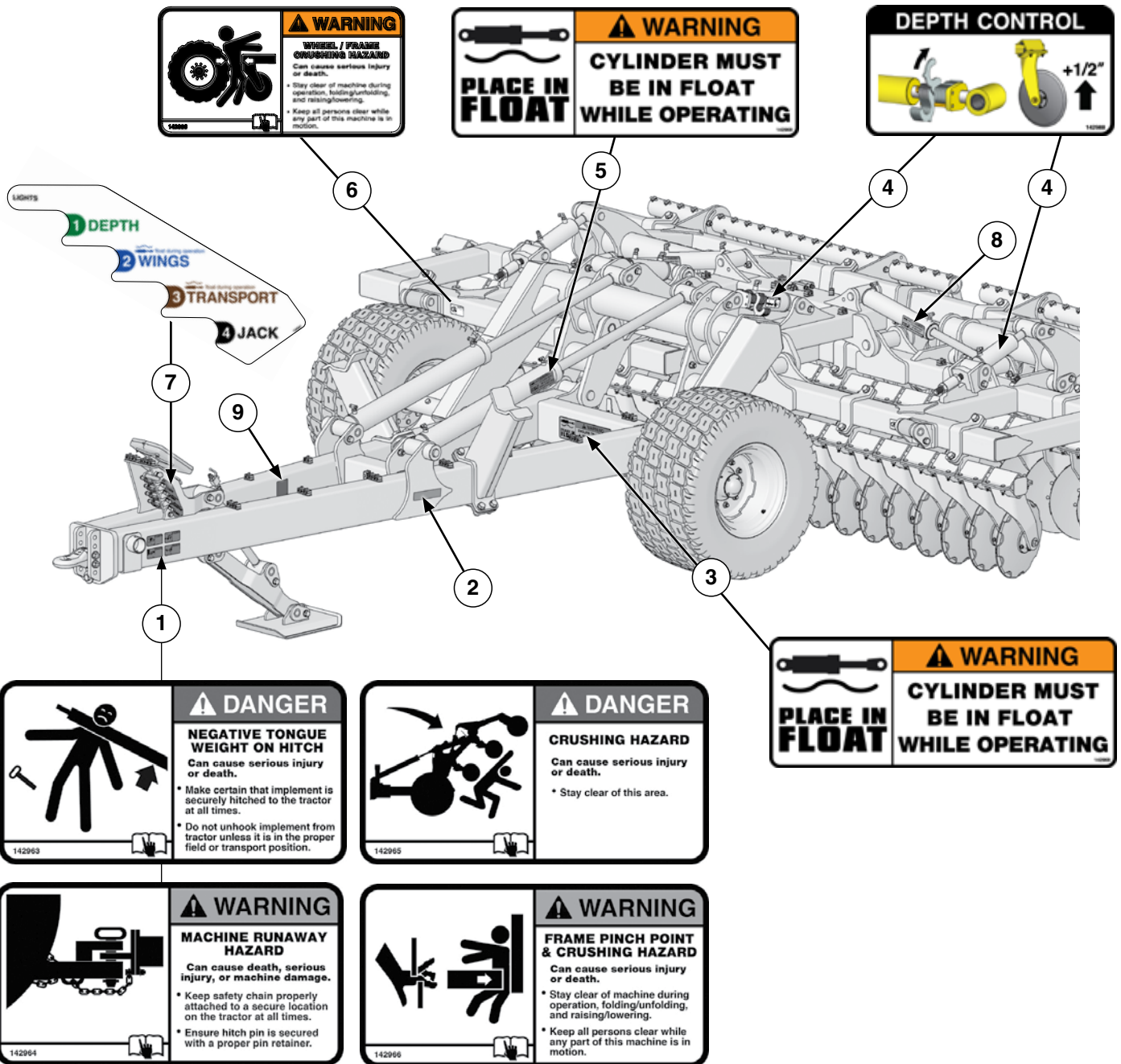
Depth Stop Pin



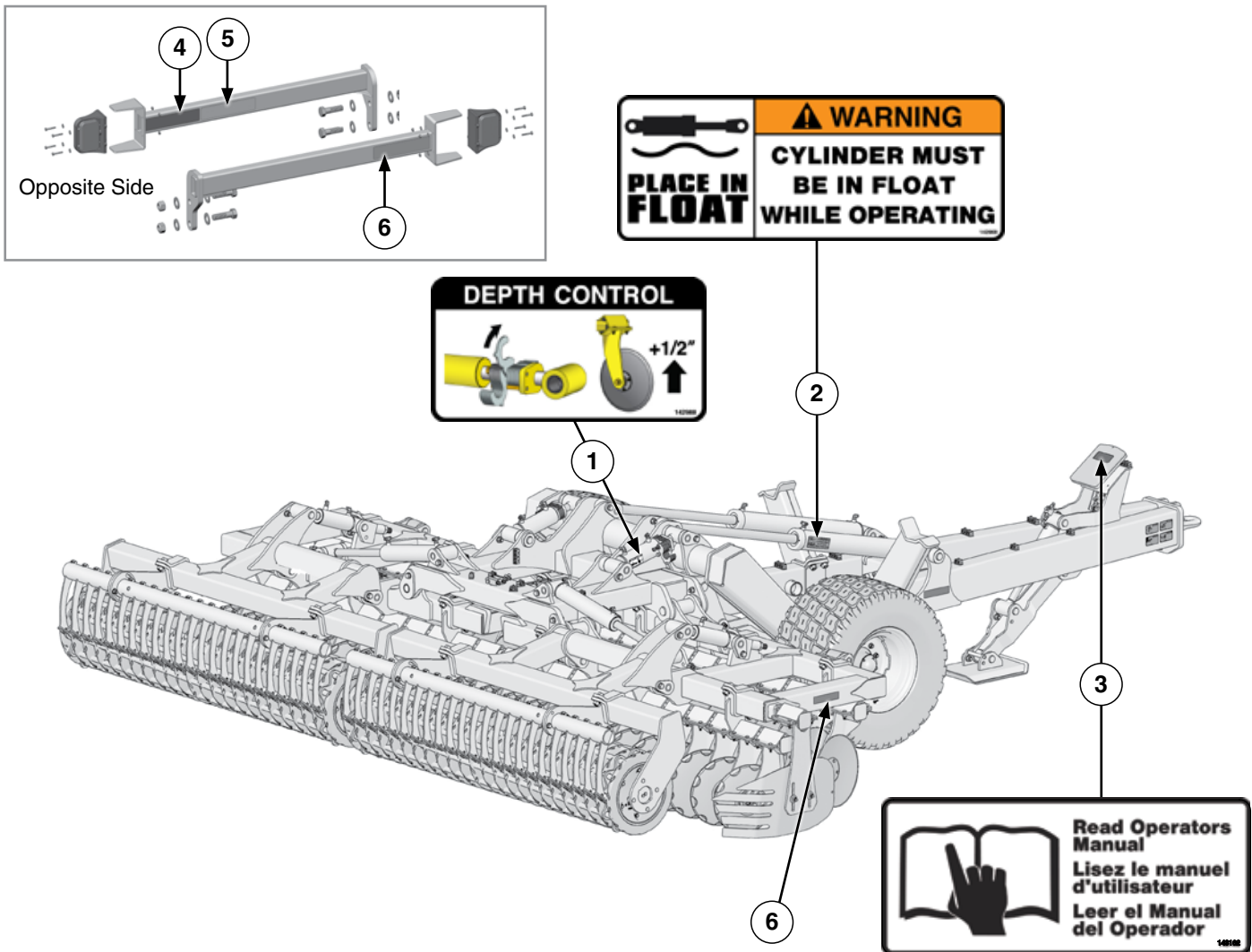
ITEM	PART NO.	QTY.	DESCRIPTION
1	GD133135	-	Wiper Seal, 2½" O.D.
2	GD117225	-	Bushing, 2½" O.D. x 2½"
3	GD117240	-	Bushing, 2" O.D. x 3⅝"
4	GD133134	-	Wiper Seal, 2" O.D.
5	G1118403	-	Nut, ⅜"
	G1118005	-	Bolt, ⅜" x 1"
6	G1117589	-	Self-Locking Pin, ⅜" x 5"
7	GA573458	-	Depth Stop, Inner Pin
8	GA573457	-	Depth Stop, Outer Pin
9	G1118511	-	Flat Washer, ⅜"
10	G1118417	-	Lock Nut, ⅜", Grade 5
11	GD573599	-	Threaded Bushing Plate
12	GA573456	-	Depth Stop, Inner Pin
13	GA573455	-	Depth Stop, Outer Pin
14	GD573598	-	Spacer Bushing
15	G1117626	-	Bolt, ⅜" x 5½"
16	GA573682	-	Depth Stop, Inner Pin
17	GA573685	-	Depth Stop, Outer Pin
18	GA573683	-	Depth Stop, Inner Pin
19	GA573686	-	Depth Stop, Outer Pin
20	GA123075BK	-	Hydraulic Cylinder, 4¼" x 8" x 2"
	GR123046	-	Seal Kit
21	GA123740BK	-	Hydraulic Cylinder, 3" x 4" x 1½"
	GR123665	-	Seal Kit
22	GA123065BK	-	Hydraulic Cylinder, 3¾" x 8" x 2"
	GR123051	-	Seal Kit
23	GA123067BK	-	Hydraulic Cylinder, 4" x 20" x 2"
	GR123049	-	Seal Kit
24	GA123412BK	-	Hydraulic Cylinder, 4" x 8" x 2"
	GR123049	-	Seal Kit
25	GA123068BK	-	Hydraulic Cylinder, 5" x 40" x 2½"
	GR123069	-	Seal Kit







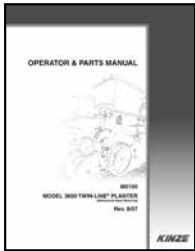
ITEM	PART NO.	QTY.	DESCRIPTION
1	GA573194	1	Wire Harness, Mach Till 201
	GA573193	-	Wire Harness, Mach Till 261
2	GA129125	1	Dual Lamp, L.H.
3	GA129126	1	Dual Lamp, R.H.
4	GA129127	2	Single Amber Lamp
5	G1118983	8	Hex Bolt, 1/4" x 3/4", Grade 5
	G1118533	8	Lock Washer, 1/4"
	G1118541	8	Flat Washer, 1/4"
6	G1118756	8	Hex Bolt, 1/4" x 1 1/4", Grade 5
	G1118541	16	Flat Washer, 1/4"
	G1118483	8	Lock Nut, 1/4", Grade 5
7	GA573286BU	1	Light Bracket, R.H.
8	GA573285BU	1	Light Bracket, L.H.
9	G1118768	4	Hex Bolt, 7/8" x 3 1/2"
	G1118774	8	Flat Washer, 7/8"
	G1117416	4	Lock Nut, 7/8"
10	GD573619BU	1	Pressure Valve Mount



ITEM	PART NO.	QTY.	DESCRIPTION
1	GD142963	2	Decal, Danger
	GD142964	2	Decal, Warning
	GD142965	2	Decal, Danger
	GD142966	2	Decal, Warning
2	G7100-558	2	Reflective Decal, Amber, 2" x 9", Rectangular
3	GD142789	1	Decal, Warning
4	GD142988	2	Decal, Disc Depth
5	GD142969	2	Decal, Warning
6	GD142986	2	Decal, Warning
7	GD142987BU	1	Decal, Hose Location
8	GD142788	2	Decal, Constant Pressure
9	GD142653	1	Decal, Patent



ITEM	PART NO.	QTY.	DESCRIPTION
1	GD142988	2	Decal, Disc Depth
2	GD142969	2	Decal, Warning
3	GD143162	1	Decal, Read Manual
4	GD142556	2	Decal, Red Reflector
5	GD142650	2	Decal, Fluorescent
6	G7100-558	4	Reflective Decal, Amber, 2" x 9", Rectangular

	<p>Part No.: G7100-558 Description: Decal, Amber Reflective Quantity: 6</p>
	<p>Part No.: G10111801 Description: Kinze Decal, 4.6" x 21.06" Quantity: 2</p>
	<p>Part No.: G10111601 Description: Kinze Decal, 2½" x 11.45" Quantity: 1</p>
	<p>Part No.: G7100-587 Description: Decal, Mach Till 261, 4½" x 42" Quantity: 2</p>
	<p>Part No.: G7100-594 Description: Decal, Mach Till 261, 2½" x 23" Quantity: 1</p>
	<p>Part No.: G7100-586 Description: Decal, Mach Till 201, 4½" x 42½" Quantity: 2</p>
	<p>Part No.: G7100-593 Description: Decal, Mach Till 201, 2½" x 23" Quantity: 1</p>
	<p>Part No.: GM0284-01 Description: Operator Manual, Model 201/261 Part No.: GM0284-02 Description: Parts Manual, Model 201/261 Part No.: GPR1321 Description: Binder (Contact Kinze Parts To Order)</p>

This page left blank intentionally.

Numerical Index

M0284-02

Model 201/261

Part No.	Page	Part No.	Page	Part No.	Page	Part No.	Page
*A126707	P42	A573772BK	P22	G1118062	P12	G1118756	P48
*A126708	P38	A573773BK	P22	G1118062	P18	G1118767	P10
*A126709	P38	A573801BU	P16	G1118123	P7	G1118767	P12
*A126709	P43	A573802BU	P16	G1118123	P8	G1118767	P14
*A126710	P38	A573803BU	P16	G1118134	P6	G1118767	P14
*A126710	P43	A573804BU	P16	G1118134	P22	G1118767	P16
*A126712	P42	G10049	P42	G1118134	P24	G1118767	P26
*A126713	P35	G10111601	P51	G1118134	P26	G1118767	P30
*A126714	P35	G10111801	P51	G1118134	P26	G1118767	P44
*A126715	P35	G10895	P18	G1118134	P26	G1118768	P14
*A126716	P35	G1117172	P26	G1118134	P28	G1118768	P48
*A126717	P38	G1117225	P5	G1118134	P30	G1118774	P5
*A126717	P40	G1117407	P30	G1118144	P4	G1118774	P10
*A126717	P42	G1117414	P17	G1118144	P14	G1118774	P12
*A126718	P42	G1117414	P18	G1118144	P16	G1118774	P14
*A126719	P35	G1117414	P18	G1118186	P26	G1118774	P14
*A126720	P35	G1117414	P28	G1118186	P28	G1118774	P14
*A126721	P40	G1117414	P32	G1118186	P28	G1118774	P16
*A126721	P40	G1117416	P5	G1118221	P7	G1118774	P26
*A126755	P38	G1117416	P10	G1118221	P7	G1118774	P30
*A126755	P40	G1117416	P12	G1118221	P26	G1118774	P32
*A126796	P42	G1117416	P14	G1118279	P19	G1118774	P42
*A126797	P42	G1117416	P14	G1118403	P46	G1118774	P44
*A126911	P40	G1117416	P14	G1118417	P42	G1118774	P48
*A126912	P40	G1117416	P16	G1118417	P46	G1118775	P18
*A126913	P40	G1117416	P26	G1118447	P7	G1118775	P28
*A126914	P40	G1117416	P30	G1118447	P7	G1118775	P32
*A126915	P40	G1117416	P32	G1118447	P26	G1118911	P6
*A126916	P40	G1117416	P42	G1118447	P26	G1118911	P7
*A126917	P40	G1117416	P44	G1118451	P16	G1118911	P7
*A126918	P40	G1117416	P48	G1118468	P19	G1118911	P22
*A126919	P40	G1117426	P32	G1118483	P7	G1118911	P24
*A126920	P40	G1117438	P17	G1118483	P8	G1118911	P26
*G1117429	P7	G1117438	P18	G1118483	P48	G1118911	P26
A572900BK	P24	G1117460	P26	G1118511	P42	G1118911	P26
A572901BK	P24	G1117474	P42	G1118511	P46	G1118911	P28
A572902BK	P24	G1117486	P28	G1118533	P48	G1118911	P30
A572903BK	P24	G1117509	P10	G1118537	P7	G1118983	P48
A572904BK	P22	G1117565	P7	G1118537	P7	G1131020	P6
A572905BK	P22	G1117579	P26	G1118541	P7	G1131020	P7
A572906BK	P22	G1117580	P17	G1118541	P8	G1131020	P7
A572907BK	P22	G1117580	P19	G1118541	P48	G1131020	P22
A573025BU	P14	G1117581	P17	G1118541	P48	G1131020	P24
A573325BU	P16	G1117581	P18	G1118615	P7	G1131020	P26
A573326BU	P16	G1117581	P19	G1118635	P17	G1131020	P26
A573330BU	P16	G1117581	P26	G1118635	P18	G1131020	P26
A573340BU	P16	G1117589	P46	G1118635	P19	G1131020	P28
A573750BK	P24	G1117599	P28	G1118721	P30	G1131020	P30
A573751BK	P24	G1117626	P46	G1118721	P32	G1131020	P30
A573752BK	P24	G1117991	P19	G1118729	P28	G1131776	P30
A573753BK	P24	G1118005	P46	G1118729	P30	G1131776	P32
A573770BK	P22	G1118040	P18	G1118729	P32	G1143000	P10
A573771BK	P22	G1118062	P10	G1118743	P32	G11661	P5

Part No.	Page	Part No.	Page	Part No.	Page	Part No.	Page
G117580	P18	GA141524	P42	GA573447	P10	GD117502	P10
G7100-558	P49	GA141597	P43	GA573448	P10	GD118332	P13
G7100-558	P50	GA141704	P35	GA573449	P10	GD122668	P42
G7100-558	P51	GA141704	P38	GA573453	P10	GD122668	P43
G7100-586	P51	GA141704	P40	GA573455	P46	GD131819	P10
G7100-587	P51	GA141704	P42	GA573456	P46	GD131819	P12
G7100-593	P51	GA141704	P43	GA573457	P46	GD133100	P7
G7100-594	P51	GA141705	P43	GA573458	P46	GD133134	P46
GA118869	P16	GA141711	P38	GA573590BU	P7	GD133135	P5
GA119034	P17	GA141711	P40	GA573610BU	P26	GD133135	P10
GA119036	P18	GA141711	P42	GA573611BU	P26	GD133135	P12
GA123065BK	P12	GA141740	P42	GA573612BU	P26	GD133135	P16
GA123065BK	P26	GA27098	P42	GA573615BU	P26	GD133135	P26
GA123065BK	P38	GA572401BK	P19	GA573682	P46	GD133135	P30
GA123065BK	P40	GA572406BK	P19	GA573683	P46	GD133135	P32
GA123065BK	P46	GA572895BK	P24	GA573685	P46	GD133135	P44
GA123066BK	P10	GA572896BK	P24	GA573686	P46	GD133135	P46
GA123066BK	P38	GA572897BK	P22	GA573690BU	P32	GD133136	P8
GA123067BK	P16	GA572898BK	P22	GA573691BU	P32	GD133136	P10
GA123067BK	P42	GA572909BK	P24	GA573754BK	P24	GD133136	P12
GA123067BK	P46	GA572909BK	P24	GA573754BK	P24	GD133136	P16
GA123068BK	P4	GA572910BK	P22	GA573755BK	P24	GD141581	P35
GA123068BK	P35	GA572910BK	P22	GA573756BK	P24	GD141581	P38
GA123068BK	P44	GA572931	P7	GA573757BK	P19	GD141581	P40
GA123068BK	P46	GA572933BK	P28	GA573758BK	P19	GD141581	P42
GA123075BK	P12	GA572936BK	P28	GA573774BK	P22	GD141581	P43
GA123075BK	P40	GA572962BK	P28	GA573774BK	P22	GD141676	P35
GA123075BK	P46	GA572976BK	P26	GA573775BK	P22	GD141676	P38
GA123412BK	P5	GA572977BK	P26	GA573776BK	P22	GD141676	P40
GA123412BK	P43	GA573045BU	P10	GA573832BK	P18	GD141676	P42
GA123412BK	P46	GA573045BU	P12	GA573835BU	P18	GD141676	P43
GA123740BK	P32	GA573060BU	P4	GA573839BK	P18	GD141679	P38
GA123740BK	P40	GA573092BU	P4	GA780278	P4	GD141679	P40
GA123740BK	P46	GA573131BU	P30	GA780278	P14	GD141682BU	P42
GA124029	P7	GA573155BU	P30	GA780278	P16	GD141683BU	P42
GA129125	P48	GA573156BU	P30	GD110066BK	P28	GD141684BU	P38
GA129126	P48	GA573165BU	P7	GD110067	P28	GD141684BU	P40
GA129127	P48	GA573168BU	P30	GD116302	P7	GD141685BU	P38
GA131415	P19	GA573169BU	P30	GD117171	P26	GD141685BU	P40
GA131806	P10	GA573170BK	P16	GD117225	P10	GD141686BU	P35
GA131806	P12	GA573175BK	P5	GD117225	P12	GD141687BU	P35
GA131818GY	P10	GA573180BK	P5	GD117225	P16	GD141688BU	P43
GA131818GY	P12	GA573185BU	P6	GD117225	P26	GD141689BU	P43
GA131830	P13	GA573191BU	P30	GD117225	P30	GD141703	P35
GA131833	P13	GA573192BU	P30	GD117225	P32	GD141703	P38
GA131845	P26	GA573193	P48	GD117225	P44	GD141703	P40
GA131850GY	P30	GA573194	P48	GD117225	P46	GD141703	P42
GA131850GY	P32	GA573285BU	P48	GD117226	P8	GD141703	P43
GA131851GY	P30	GA573286BU	P48	GD117226	P10	GD141706	P38
GA131851GY	P32	GA573305BU	P26	GD117226	P12	GD141706	P40
GA131855	P26	GA573360BK	P17	GD117226	P16	GD141707	P35
GA132016	P30	GA573365BK	P17	GD117240	P46	GD141707	P38

Part No.	Page	Part No.	Page	Part No.	Page	Part No.	Page
GD141707.....	P40	GD572957.....	P28	GR123046.....	P10	GR131852.....	P30
GD141707.....	P42	GD573190BU.....	P6	GR123046.....	P12	GR131852.....	P32
GD141715.....	P40	GD573199BK.....	P16	GR123046.....	P40	GR131853.....	P30
GD141715.....	P42	GD573278BU.....	P26	GR123046.....	P46	GR131853.....	P32
GD141727.....	P40	GD573278BU.....	P26	GR123049.....	P16		
GD141727.....	P42	GD573278BU.....	P26	GR123049.....	P43		
GD141735.....	P38	GD573352.....	P16	GR123049.....	P46		
GD141735.....	P40	GD573370BU.....	P17	GR123049.....	P46		
GD142556.....	P50	GD573386BU.....	P26	GR123051.....	P12		
GD142650.....	P50	GD573387BK.....	P26	GR123051.....	P26		
GD142653.....	P49	GD573598.....	P46	GR123051.....	P40		
GD142788.....	P49	GD573599.....	P46	GR123051.....	P46		
GD142789.....	P49	GD573619BU.....	P42	GR123069.....	P35		
GD142963.....	P49	GD573619BU.....	P48	GR123069.....	P44		
GD142964.....	P49	GD573764BK.....	P19	GR123069.....	P46		
GD142965.....	P49	GD573841.....	P18	GR123665.....	P46		
GD142966.....	P49	GD573842.....	P18	GR123740.....	P40		
GD142969.....	P49	GD575193.....	P5	GR127015.....	P10		
GD142969.....	P50	GD575193.....	P32	GR127015.....	P12		
GD142986.....	P49	GD575194.....	P5	GR131028.....	P33		
GD142987BU.....	P49	GD575194.....	P10	GR131521.....	P30		
GD142988.....	P49	GD575194.....	P12	GR131521.....	P32		
GD142988.....	P50	GD575194.....	P14	GR131712.....	P27		
GD143162.....	P50	GD575194.....	P14	GR131716.....	P27		
GD143549.....	P17	GD575194.....	P16	GR131717.....	P27		
GD143549.....	P18	GD575194.....	P26	GR131722.....	P27		
GD143549.....	P19	GD575194.....	P30	GR131723.....	P27		
GD143550.....	P19	GD575194.....	P32	GR131725.....	P27		
GD143553.....	P19	GD575194.....	P44	GR131730.....	P27		
GD143556.....	P19	GD575195.....	P10	GR131735.....	P33		
GD143562.....	P19	GD575195.....	P12	GR131736.....	P33		
GD143565.....	P19	GD575195.....	P14	GR131737.....	P33		
GD143566.....	P19	GD575195.....	P16	GR131739.....	P33		
GD143575.....	P19	GD575195.....	P26	GR131740.....	P33		
GD143577.....	P19	GD575197.....	P14	GR131741.....	P33		
GD2199.....	P8	GD575197.....	P30	GR131742.....	P33		
GD242982.....	P30	GD575197.....	P44	GR131744.....	P33		
GD242982.....	P32	GD575212.....	P14	GR131745.....	P33		
GD249950.....	P32	GD575215.....	P14	GR131746.....	P33		
GD249954.....	P32	GD780279.....	P4	GR131775.....	P33		
GD572404BK.....	P17	GD780279.....	P14	GR131816.....	P27		
GD572404BK.....	P18	GD780279.....	P16	GR131834.....	P13		
GD572404BK.....	P19	GM0284-01.....	P51	GR131835.....	P13		
GD572428.....	P26	GM0284-02.....	P51	GR131836.....	P13		
GD572649.....	P28	GPR1321.....	P51	GR131837.....	P13		
GD572650.....	P28	GR117555.....	P33	GR131838.....	P13		
GD572786.....	P26	GR117572.....	P27	GR131839.....	P13		
GD572891BK.....	P22	GR118443.....	P13	GR131840.....	P13		
GD572891BK.....	P24	GR118641.....	P13	GR131841.....	P13		
GD572891BK.....	P28	GR118712.....	P13	GR131846.....	P27		
GD572930.....	P7	GR118723.....	P13	GR131847.....	P27		
GD572930.....	P30	GR118963.....	P13	GR131848.....	P27		

This page left blank intentionally.